

SMS6600 STUDIO MONITOR STANDS

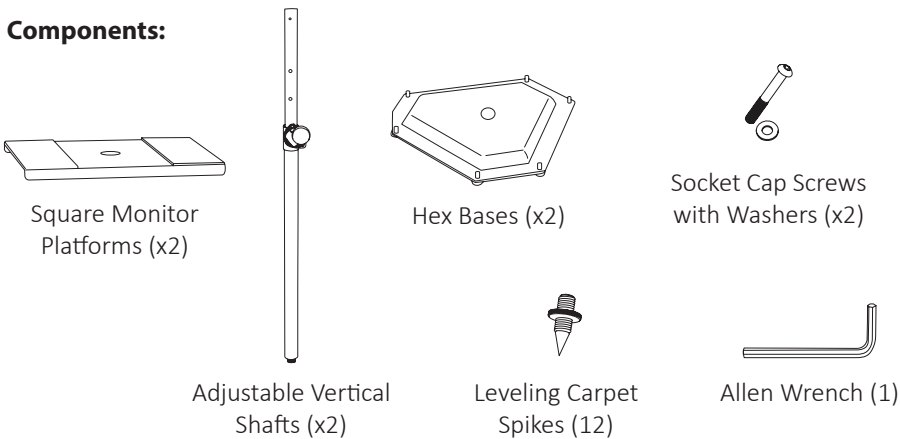
On-Stage®

Congratulations on your purchase of the SMS6600 Studio Monitor Stands Pair!
Please read the following instructions carefully. *We hope you enjoy your new purchase.*

Visit On-Stage for the most recently-updated instructions.

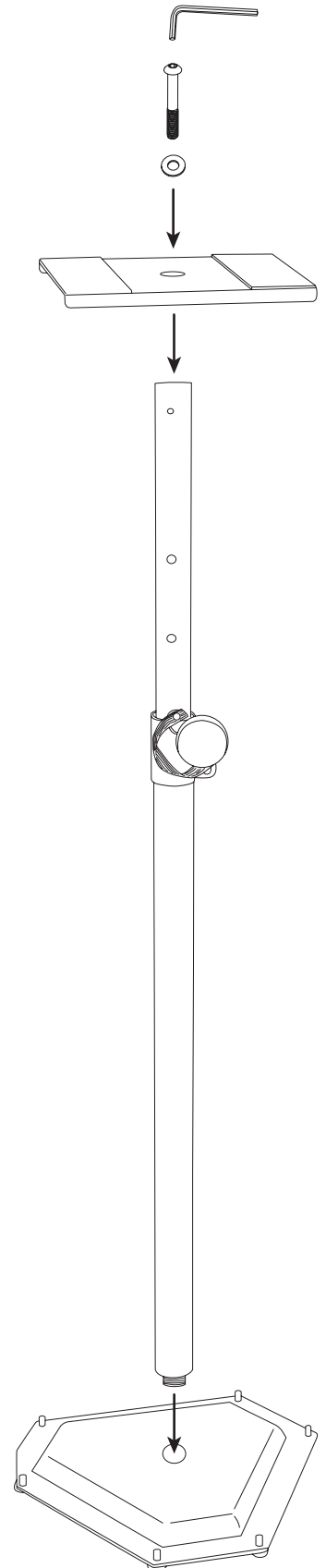
Remove all contents from the box and identify the parts using these diagrams. *Parts not drawn to scale.

Components:



Assembly Instructions:

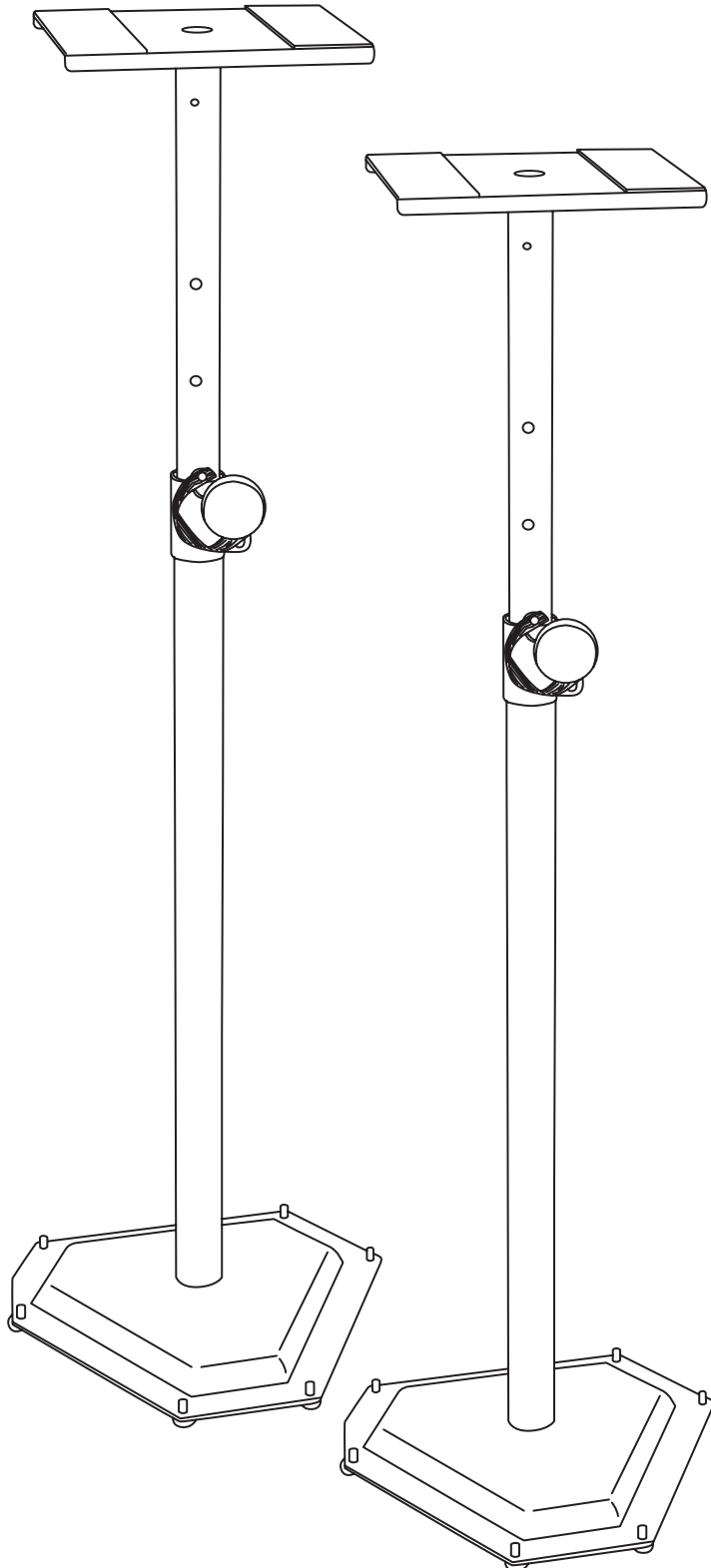
1. Thread the bottom of the adjustable vertical shaft into the base until fully engaged.
2. Thread the Socket Cap Screw with the Washer through the Square Monitor Platform into the upper portion of the Adjustable Vertical Shaft and tighten securely with provided Allen Wrench.
3. Place in desired location and ensure that the platform is level, adjusting the rubber feet as needed by turning them. When placing on carpet, remove the rubber feet from the base and insert the carpet spikes, ensuring the Square Monitor Platform is level.
4. Adjust the monitor plate height by turning the knob on the shaft to loosen it and move to desired height.
5. Insert the safety pin all the way through the vertical shaft at the lowest hole exposed.
6. Repeat steps 1-5 for second stand.



CAUTION

FAILURE TO OBSERVE PROPER ASSEMBLY INSTRUCTIONS, EXCEEDING THE WEIGHT CAPACITY OR FAILURE TO OBSERVE THE WARNINGS AS MENTIONED IN THIS INSERT MAY CAUSE BODILY INJURY OR EQUIPMENT DAMAGE AND WILL VOID THE PRODUCT WARRANTY.

SMS6600-P STUDIO MONITOR STANDS



SMS6600 Product Specifications

Height Adjustment: 36.5" - 54"

Platform Dimensions: 9½" Square platform

Base Spread: 14"

Weight Capacity: 90 lbs.

Construction: Steel

Color: Black Power Coat Finish

REGISTER ONLINE. HERE'S WHY:

Lightning Fast Service - Get the fastest turn-around in the unlikely event of a warranty claim.

Product Notifications - We can contact you directly with product notifications and safety information.

Better Products - Your registration helps us to improve our products and develop new ones.

Questions or Concerns? Contact the Customer Service Department at cs@MusicPeopleinc.com or call us at (800) 289-8889.