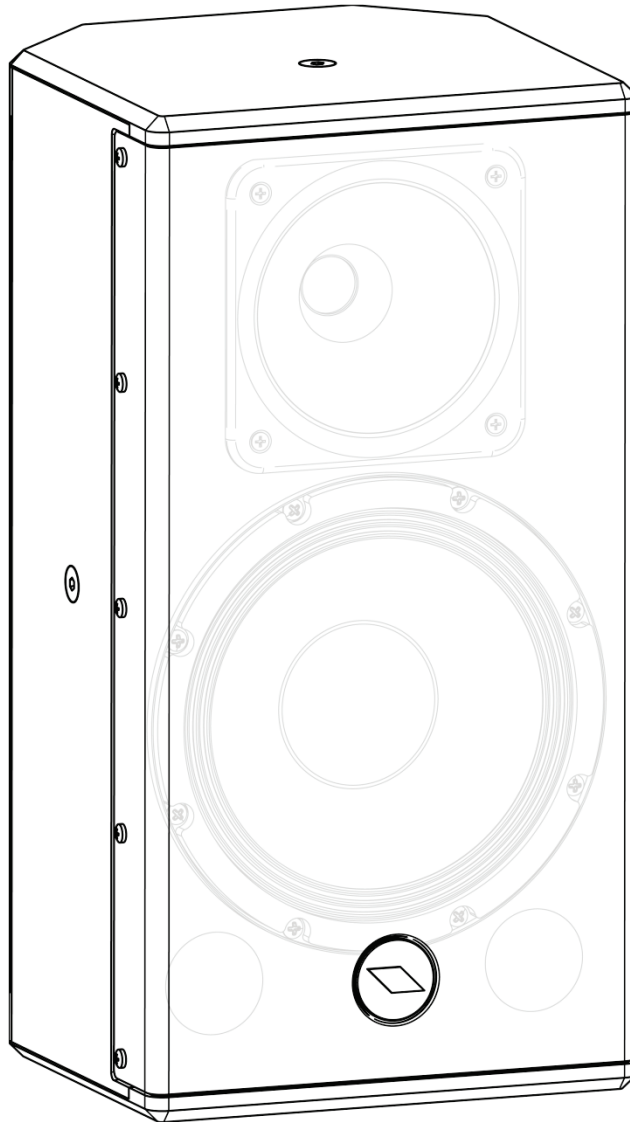




LTX8A

USER'S MANUAL



ENGLISH
ITALIANO

96MAN0167-REV.29/23





INDEX

IMPORTANT SAFETY INSTRUCTIONS	4
FEDERAL COMMUNICATIONS COMMISSION (FCC) STATEMENT	5
DECLARATION OF CONFORMITY	5
LIMITED WARRANTY	5
CONDITIONS OF USE	5
INTRODUCTION.....	6
DESCRIPTION	6
MAIN PANEL OPERATIONS	6
KPTLPT BRACKET ASSEMBLY INSTRUCTIONS	8
CONNECTION EXAMPLE.....	11
OPTIONAL ACCESSORIES	12
TECHNICAL SPECIFICATIONS	12
MECHANICAL DRAWING.....	23



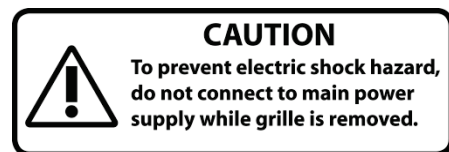
IMPORTANT SAFETY INSTRUCTIONS

Watch for these symbols:



- The lightning flash with arrowhead symbol within an equilateral triangle is intended to alert the user to the presence of uninsulated “dangerous voltage” within the product’s enclosure, that may be of sufficient magnitude to constitute a risk of electric shock to persons.
- The exclamation point within an equilateral triangle is intended to alert the user to the presence of important operating and maintenance (servicing) instructions in the literature accompanying the appliance.

1. Read these instructions.
2. Keep these instructions.
3. Heed all warnings.
4. Follow all instructions.
5. Do not use this apparatus near water.
6. Clean only with dry cloth.
7. Do not block any ventilation openings. Install in accordance with the manufacturer’s instructions.
8. Do not install near any heat sources such as radiators, heat registers, stoves, or other apparatus (including amplifiers) that produce heat.
9. Do not defeat the safety purpose of the polarized or grounding-type plug. A polarized plug has two blades with one wider than the other. A grounding-type plug has two blades and a third grounding prong. The wide blade or the third prong are provided for your safety. If the provided plug does not fit into your outlet, consult an electrician for replacement of the obsolete outlet.
10. Protect the power cord from being walked on or pinched, particularly at plugs, convenience receptacles, and the point where they exit from the apparatus.
11. Only use attachments/accessories specified by the manufacturer.
12. Use only with the cart, stand, tripod, bracket, or table specified by the manufacturer, or sold with the apparatus. When a cart is used, use caution when moving the cart/apparatus combination to avoid injury from tip-over.
13. Unplug this apparatus during lightning storms or when unused for long periods of time.
14. Refer all servicing to qualified service personnel. Servicing is required when the apparatus has been damaged in any way, such as power supply cord or plug is damaged, liquid has been spilled or objects have fallen into the apparatus, the apparatus has been exposed to rain or moisture, does not operate normally, or has been dropped.
15. Warning: to reduce the risk of fire or electric shock, do not expose this apparatus to rain or moisture.
16. Do not expose this equipment to dripping or splashing and ensure that no objects filled with liquids, such as vases, are placed on the equipment.
17. To completely disconnect this apparatus from the ac mains, disconnect the power supply cord plug from the ac receptacle.
18. The mains plug of the power supply cord shall remain readily operable.
19. This apparatus contains potentially lethal voltages. To prevent electric shock or hazard, do not remove the chassis, input module or ac input covers. No user serviceable parts inside. Refer servicing to qualified service personnel.
20. The loudspeakers covered by this manual are not intended for high moisture outdoor environments. Moisture can damage the speaker cone and surround and cause corrosion of electrical contacts and metal parts. Avoid exposing the speakers to direct moisture.
21. Keep loudspeakers out of extended or intense direct sunlight. The driver suspension will prematurely dry out and finished surfaces may be degraded by long-term exposure to intense ultra-violet (UV) light.
22. The loudspeakers can generate considerable energy. When placed on a slippery surface such as polished wood or linoleum, the speaker may move due to its acoustical energy output.
23. Precautions should be taken to assure that the speaker does not fall off a stage or table on which it is placed.
24. The loudspeakers are easily capable of generating sound pressure levels (SPL) sufficient to cause permanent hearing damage to performers, production crew and audience members. Caution should be taken to avoid prolonged exposure to SPL in excess of 90 dB.





This marking shown on the product or its literature, indicates that it should not be disposed with other household wastes at the end of its working life. To prevent possible harm to the environment or human health from uncontrolled waste disposal, please separate this from other types of wastes and recycle it responsibly to promote the sustainable reuse of material resources. Household users should contact either the retailer where they purchased this product, or their local government office, for details of where and how they can take this item for environmentally safe recycling. Business users should contact their supplier and check the terms and conditions of the purchase contract. This product should not be mixed with other commercial wastes for disposal.

FEDERAL COMMUNICATIONS COMMISSION (FCC) STATEMENT

This equipment has been tested and found to comply with the limits for a Class A digital device, pursuant to part 15 of the FCC Rules. These limits are designed to provide reasonable protection against harmful interference when the equipment is operated in a commercial environment. This equipment generates, uses, and can radiate radio frequency energy and, if not installed and used in accordance with the instruction manual, may cause harmful interference to radio communications.

Operation of this equipment in a residential area is likely to cause harmful interference in which case the user will be required to correct the interference at their own expense.

This device complies with Part 15 of the FCC rules. Operation is subject to the following two conditions:

- (1) this device may not cause harmful interference, and
- (2) this device must accept any interference received, including interference that may cause undesired operation.

DECLARATION OF CONFORMITY



The product is in compliance with the following European Directives:
EMC 2014/30/EU, RED 2014/53/EU, LVD 2014/35/EU, RoHS 2011/65/EU and WEEE 2012/19/EU.



The product is in compliance with:
Electromagnetic Compatibility Regulations 2016, Electrical Equipment (Safety) Regulations 2016.

WARNING (EN 55032 CISPR 32)

This equipment is compliant with Class A of CISPR 32. In a residential environment this equipment may cause radio interference. Under the EM disturbance, the ratio of signal-noise will be changed above 10 dB.

LIMITED WARRANTY

Proel warrants all materials, workmanship and proper operation of this product for a period of two years from the original date of purchase. If any defects are found in the materials or workmanship or if the product fails to function properly during the applicable warranty period, the owner should inform about these defects the dealer or the distributor, providing receipt or invoice of date of purchase and defect detailed description. This warranty does not extend to damage resulting from improper installation, misuse, neglect or abuse. Proel S.p.A. will verify damage on returned units, and when the unit has been properly used and warranty is still valid, then the unit will be replaced or repaired. Proel S.p.A. is not responsible for any "direct damage" or "indirect damage" caused by product defectiveness.

- This unit package has been submitted to ISTA 1A integrity tests. We suggest you control the unit conditions immediately after unpacking it.
- If any damage is found, immediately advise the dealer. Keep all unit packaging parts to allow inspection.
- Proel is not responsible for any damage that occurs during shipment.
- Products are sold "delivered ex warehouse" and shipment is at charge and risk of the buyer.
- Possible damages to unit should be immediately notified to forwarder. Each complaint for package tampered with should be done within eight days from product receipt.

CONDITIONS OF USE

Proel do not accept any liability for damage caused to third parties due to improper installation, use of non-original spare parts, lack of maintenance, tampering or improper use of this product, including disregard of acceptable and applicable safety standards. Proel strongly recommends that this loudspeaker cabinet be suspended taking into consideration all current National, Federal, State and Local regulations. The product must be installed by qualified personal. Please contact the manufacturer for further information.



INTRODUCTION

Thank you for choosing a PROEL product. Please take some time to read this manual to understand all the features of your system and take advantage of all its performance capabilities. All PROEL products are CE approved and designed for continuous use in professional applications.

DESCRIPTION

The **LTX8A** by PROEL is an active speaker system with plywood cabinet offering the renowned PROEL sound and a high-level performance in a reliable and affordable package. For the construction of the cabinet we have used **plywood**, a very lightweight and durable material that makes moving and installing this speaker very quick and easy. Strong, anti-scratch paint and steel grilles with an internal foam layer provide proper protection for years of service. The **supplied KPTLTP bracket** allows to install the speaker on walls and ceiling with variable tilt and swivel speaker orientation, offering the possibility to obtain a more uniform coverage of the audience. **LTX8A** have also a standard pole adapter included that allows to use the system as a portable audio system with a standard floor speaker stand.

For the high frequency reproduction we have designed a **symmetrical 90x90° dispersion horn**, able to provide constant coverage for large audiences and detailed response with low distortion. The high-excursion woofer, together with carefully tuned vented cabinets, offers an extended response with deep and tight basses.

The extremely lightweight power module features the latest technologies for amplification, such as Switch Mode Power Supply and **CLASS D** output stages, which provides a massive amount of power with a reduced weight. **LTX8A** includes a sophisticated pre-amp section with up to 24 dB/oct. phase aligned crossover filters and active EQ filters for the system's fine tuning. The **DUAL LIMITER circuit** ensures an undistorted sound even at the loudest level and a total loudspeaker protection.

MAIN PANEL OPERATIONS

1. INPUT CONNECTOR

This is a COMBO connector that accepts an XLR plug or a JACK plug from any balanced or unbalanced line level device such as a mixer or instrument.

The balanced XLR input is wired as follows:

Pin 1 = shield or ground

Pin 2 = + positive or "hot"

Pin 3 = - negative or "cold"

The balanced JACK input is wired as follows:

Tip = + positive or "hot"

Ring = - negative or "cold"

Sleeve = shield or ground

The unbalanced JACK input is wired as follows:

Tip = + positive or "hot"

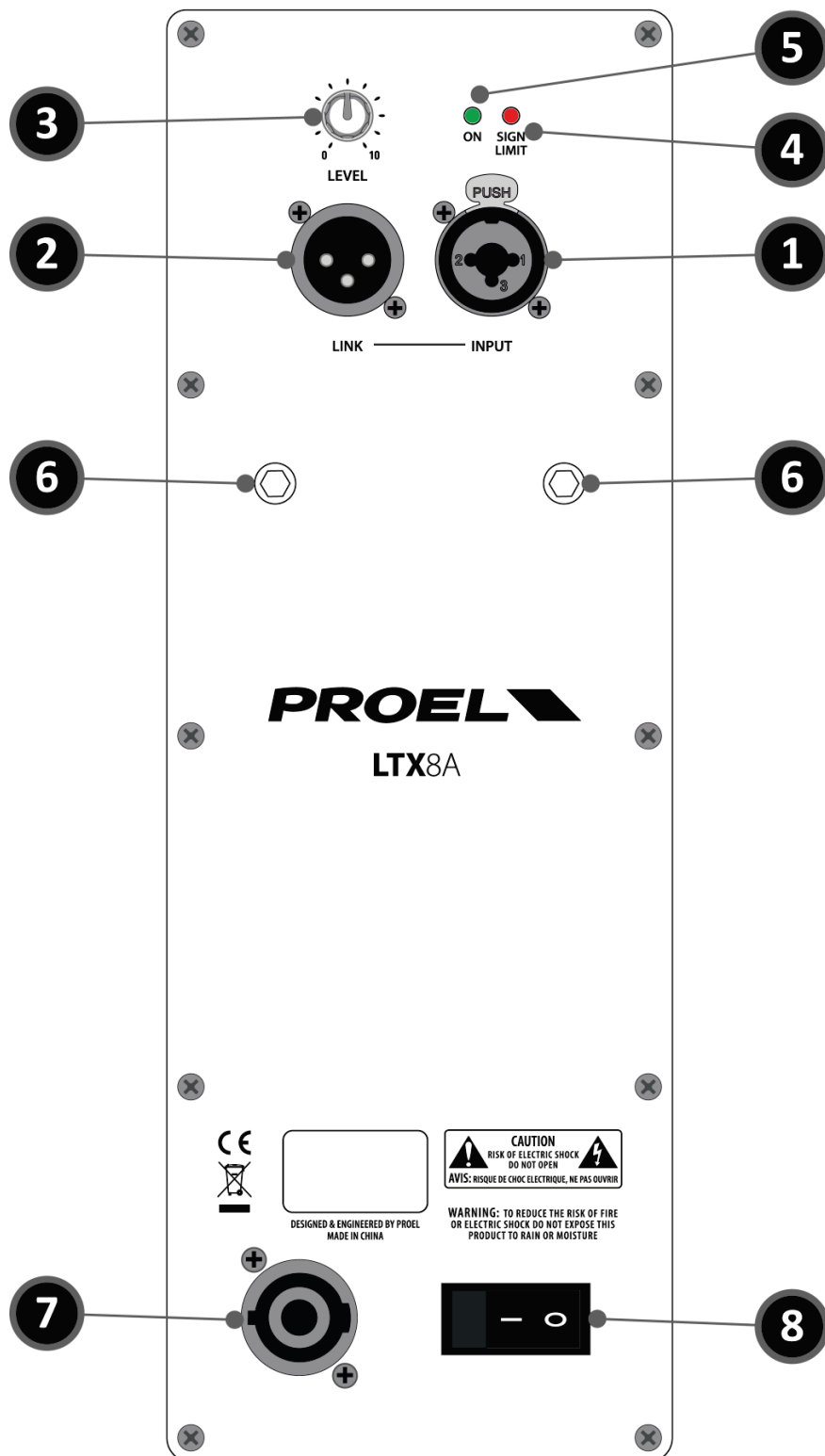
Sleeve = shield or ground

2. LINK CONNECTOR

This is a male XLR connector connected in parallel with the respective LINE IN input, so the LINK is wired as the LINE IN input. Connect it to the input of other powered speakers to make an array.

3. LINE LEVEL CONTROL

Rotary level control that attenuates the level of the input signal sent to the internal amplifier. The attenuation ranges from "0" fully closed (the signal is completely attenuated) to "10" fully open, (the signal is at the nominal level). This control doesn't affect the signal that passes thru the LINK connector.



4. SIGN/LIMIT INDICATOR

GREEN LED indicates the presence of the signal at the amplifier input.

RED LED illuminates when the internal amplifier's output is limited. When this LED flashes continuously reduce the input signal level.

5. ON INDICATOR

GREEN LED: when lighted indicates that the amplifier has been turned on and AC power is available.

6. M6 FIXINGS

This two fixing points is where to fix the KPTLTP bracket supplied with the speaker.

7. AC~ SOCKET

This is where the mains power cord plugs in. Always use the power cord supplied with the device. Make sure your device is turned off before plugging or unplugging the power cord. The connector is equipped with a locking system: insert it and rotate it clockwise until the lock clicks. To disconnect the plug, push the lock back and rotate the plug counter-clockwise.

8. POWER

Use this switch to power ON or OFF the loudspeaker. It is "ON" when the switch is in the "I" position.

KPTLTP BRACKET ASSEMBLY INSTRUCTIONS

FIG.1

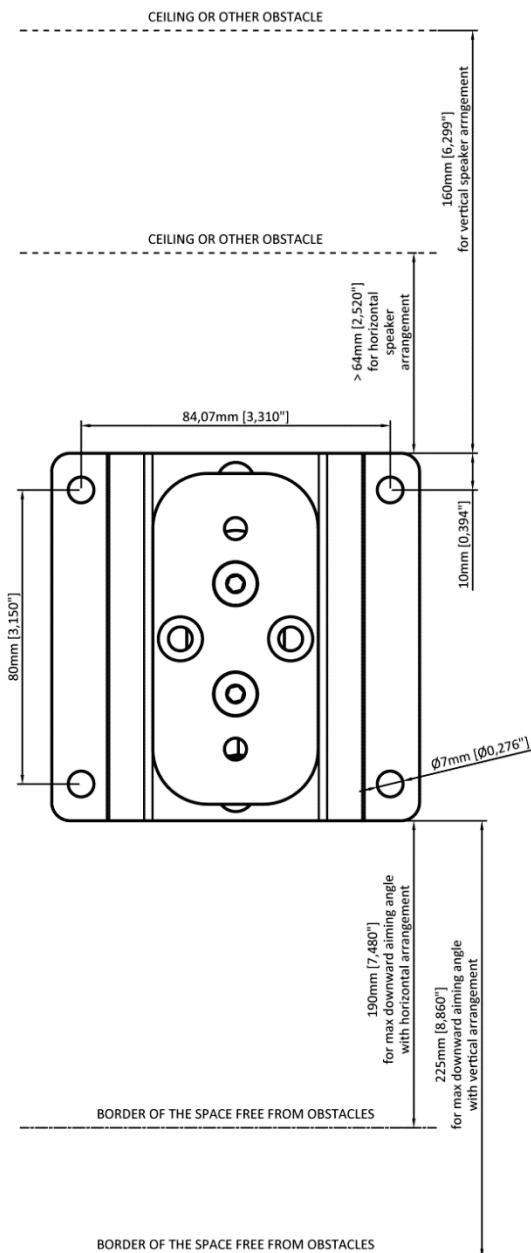


FIG.2

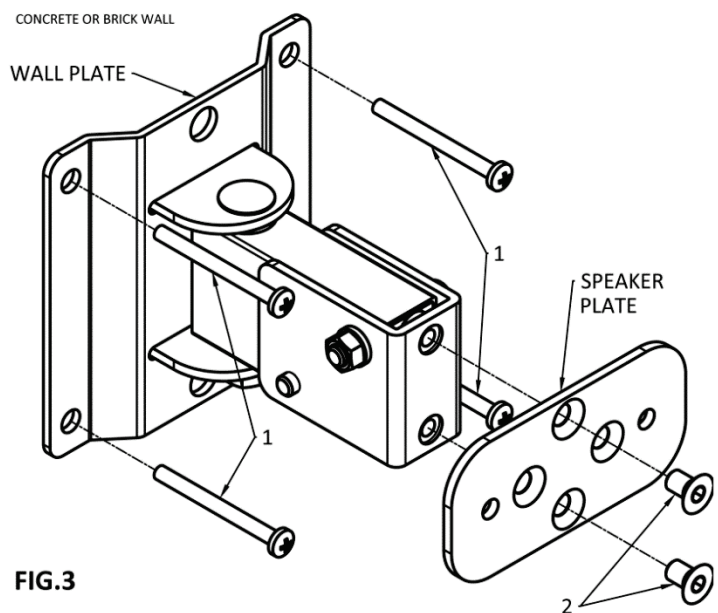
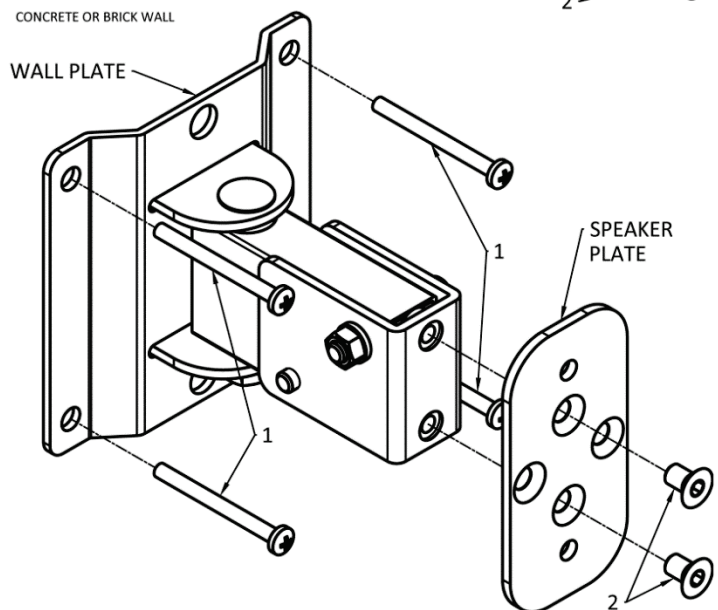
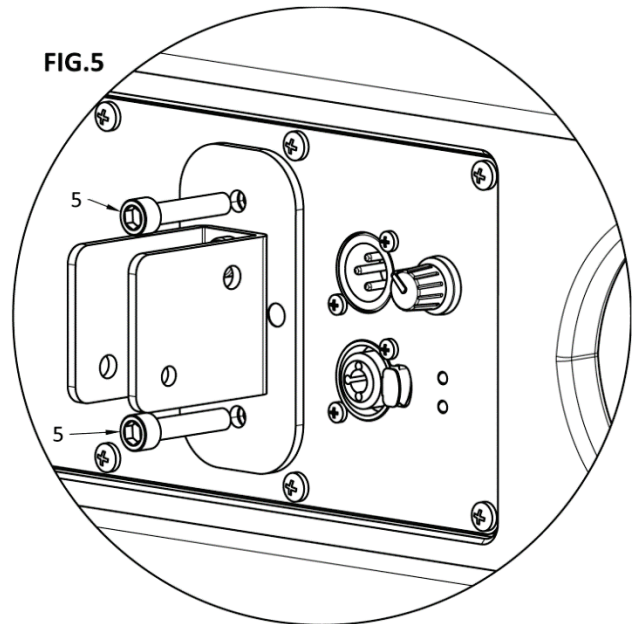
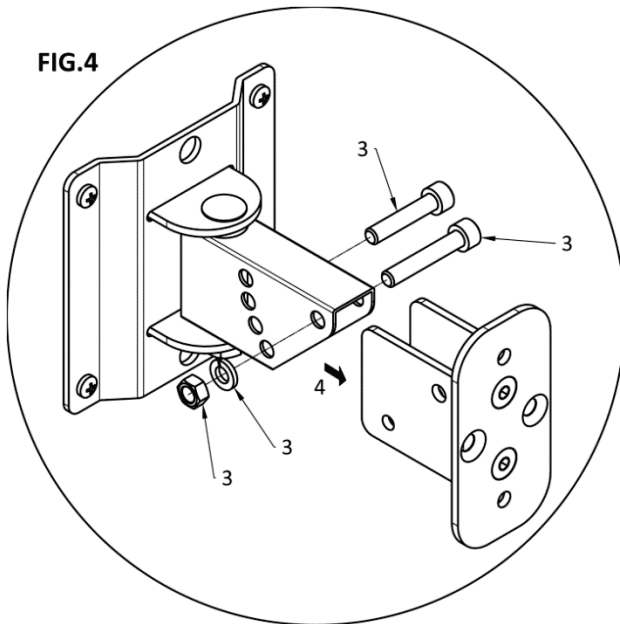


FIG.3

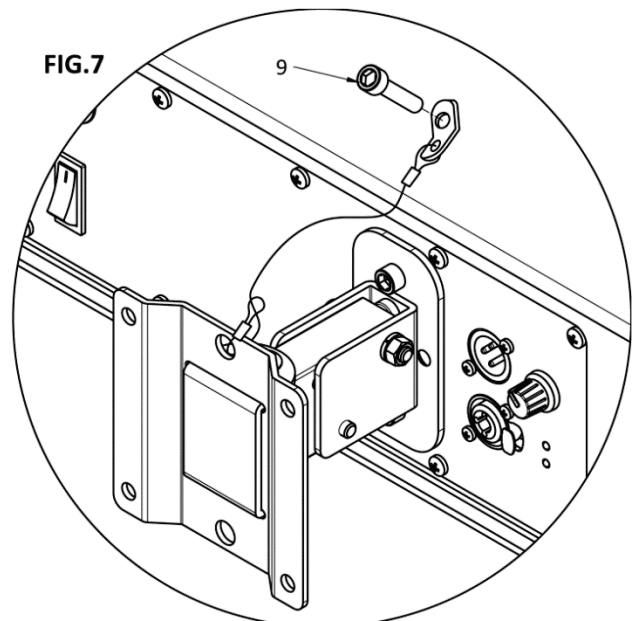
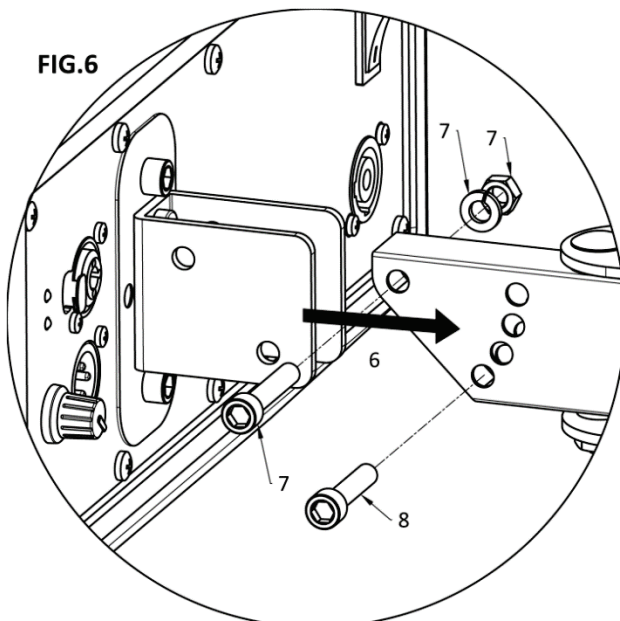


- Mount the KPTLTP on the wall considering the required free space around it for proper aiming of the speaker as shown in FIG.1.

- Fix the wall plate on the wall using a proper fixing plug and screw (not supplied) capable to carry ten times the weight of the speaker and its support. Use always the best fixing plug available for concrete or brick wall: do not try to mount this support on inappropriate walls like drywall or wooden wall. The responsibility for correct mounting lies with the installer.
- The speaker plate must be placed in the correct position for the speaker placement. If the speaker is mounted vertically the plate must be positioned as in FIG.2, if the speaker is mounted horizontally the plate must be positioned as in FIG.3.
- Detach the speaker plate from the wall plate removing screws and nut as shown in FIG.4.
- Mount the speaker plate to the loudspeaker back panel.



- Reassemble speaker plate and wall plate as shown in FIG.6.
- Connect the safety rope to the speaker using the screw on the side of the cabinet as show in FIG.7.



- FIG.8 and FIG.9 show the possible vertical tilting combinations: FIG.8 is for the speaker mounted vertically or FIG.9 for speaker mounted horizontally.

- FIG.10 and FIG.11 show the possible horizontal swivel combinations: FIG.10 is for the speaker mounted vertically or FIG.11 for speaker mounted horizontally.

FIG.8
TILT ANGLES WITH VERTICAL INSTALLING:

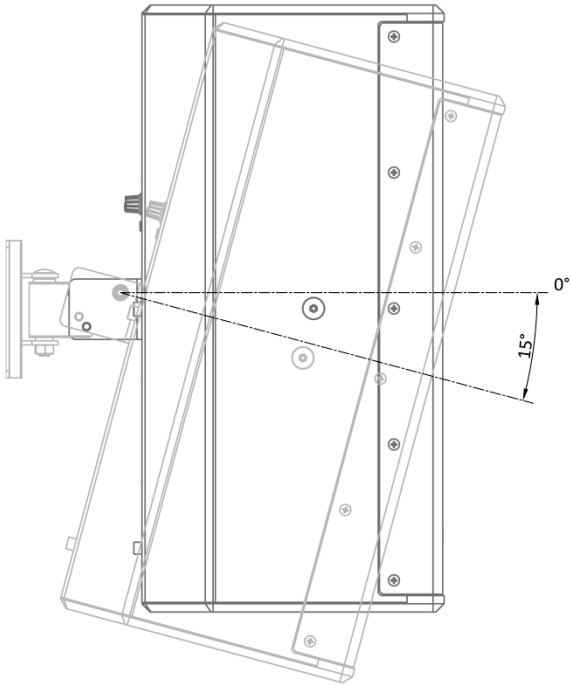


FIG.9
TILT ANGLES WITH HORIZONTAL INSTALLING:

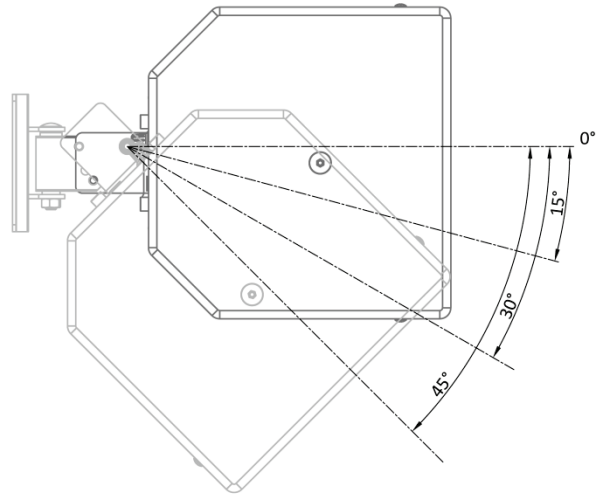


FIG.10
MAXIMUM DIRECTION ANGLE FOR 0° TILT:

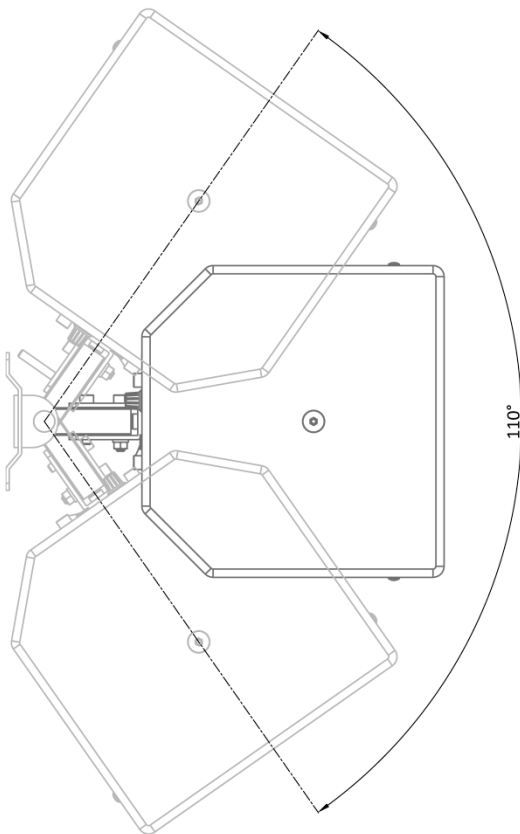
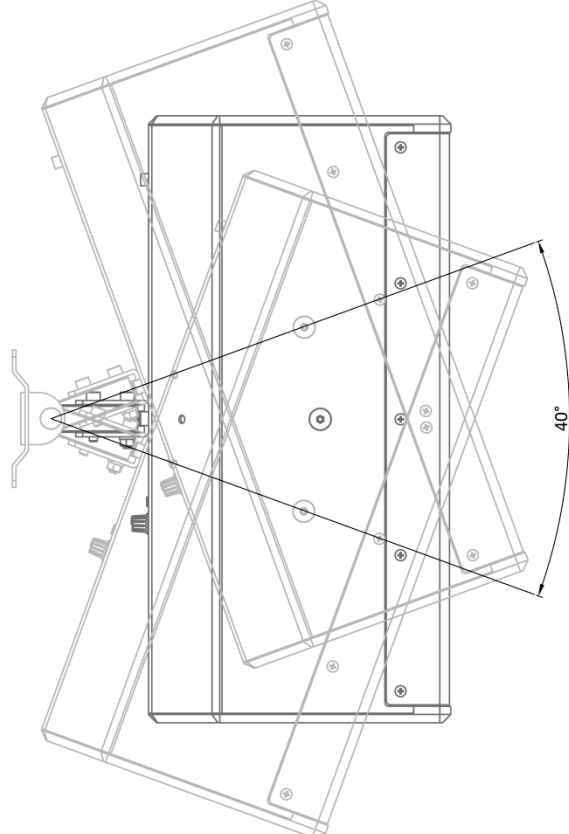
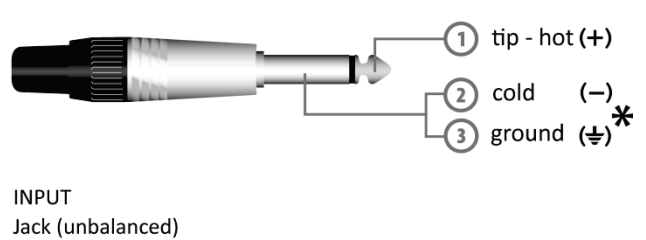
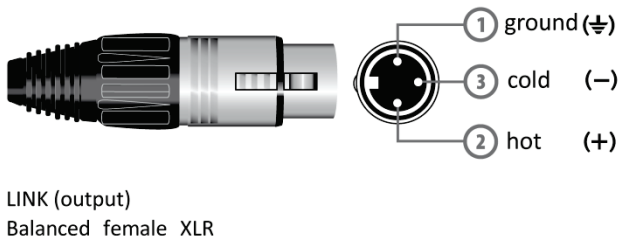
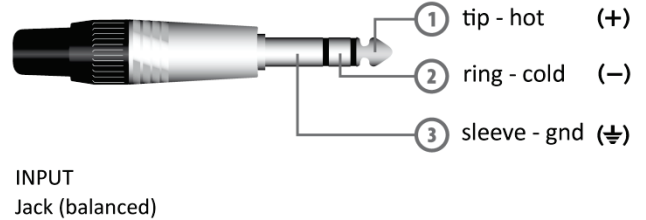
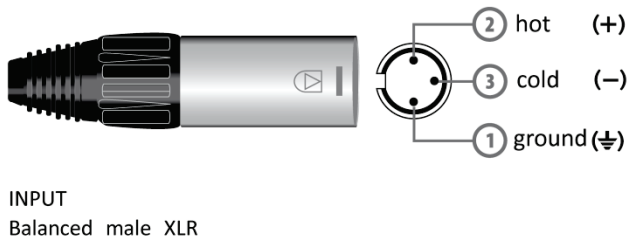
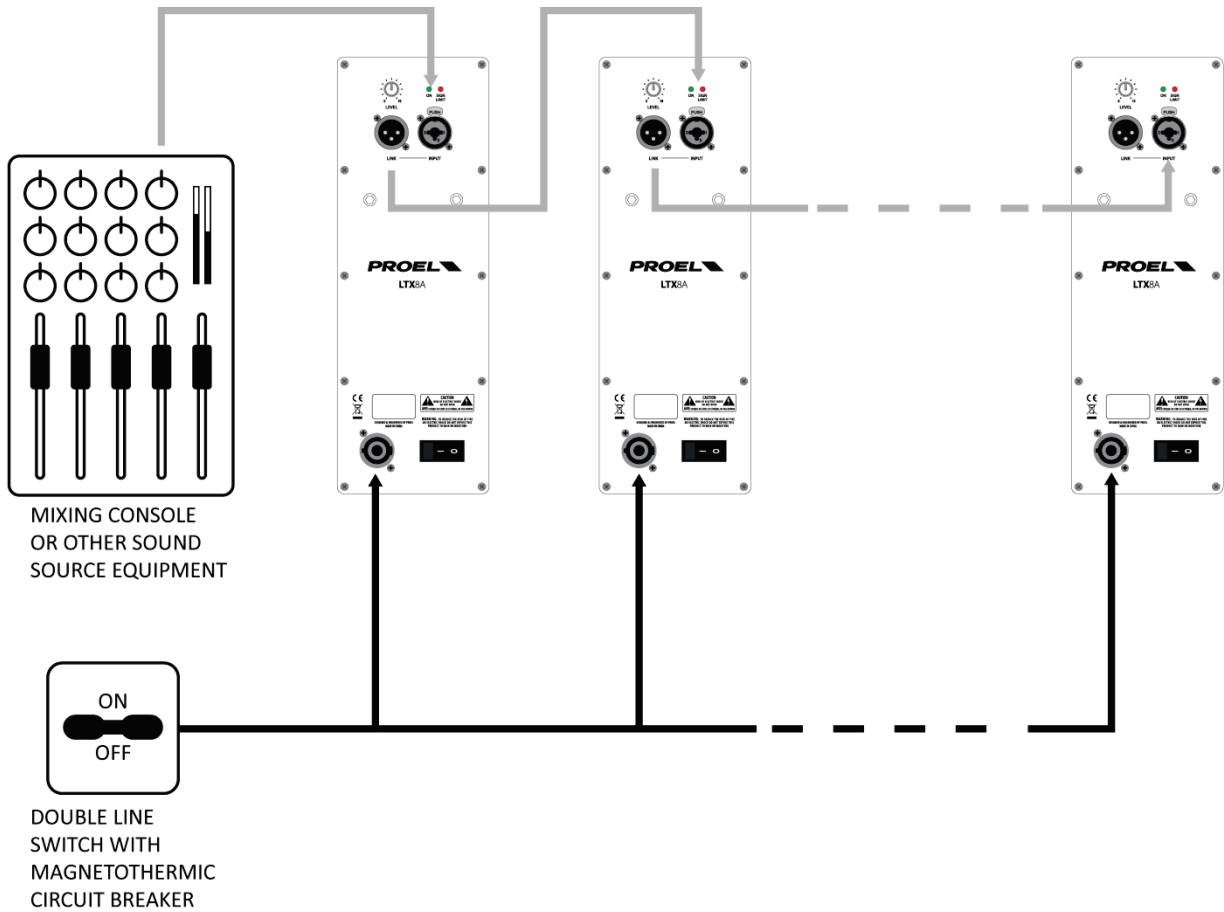


FIG.11
MAXIMUM DIRECTION ANGLE FOR 0° TILT:



CONNECTION EXAMPLE

IMPORTANT: always use balanced audio connections for long lines.



*note: connect both cold and ground to make cable from balanced to unbalanced (not suggested for long run cables)

OPTIONAL ACCESSORIES

Other accessories are available for temporary or fixed installations:

SPEAKER FLOOR STAND

- **FRE300K** – aluminium black stand (**FRE300KIT** dual with bag).



TECHNICAL SPECIFICATIONS

	LTX8A
<i>System type</i>	2-way vented enclosure
<i>High Frequency Device</i>	1" compression driver with 1" voice coil
<i>Low Frequency Device</i>	8" woofer with 1.5" VC
<i>Angular Coverage</i>	90° H x 90° V
<i>Total Peak Power</i>	320 W
<i>HF Amplifier Continuous Power</i>	80 W Class D
<i>LF Amplifier Continuous Power</i>	80 W Class D
<i>Power Supply Type</i>	SMPS
<i>System Processing</i>	Analog
<i>Frequency Response</i>	70 Hz - 20 kHz
<i>Max SPL</i>	121 dB
<i>Connectors</i>	IN: JACK/XLR F COMBO LINK: XLR M
<i>Input Impedance</i>	15k (LINE)
<i>Controls</i>	LEVEL
<i>Power Supply</i>	100-240 V~ at 50/60 Hz
<i>Rated Consumption*</i>	150 W

GENERAL SPECIFICATIONS

<i>Flying System</i>	3 x M8 - top/side 3 x M6 rear
<i>Construction</i>	Plywood
<i>Cabinet Colour</i>	Black/White
<i>Handles</i>	1 x rear
<i>Mounting Pole</i>	1 x bottom
<i>Mounting Bracket</i>	KPTLTP Tilt and Swivel bracket
<i>Dimensions (W x H x D)</i>	227 x 442 x 220 mm
<i>Weight</i>	7.0 kg / 15.4 lbs.

* Rated consumption is measured with pink noise with a crest factor of 12 dB, this can be considered a standard music program.



INDICE

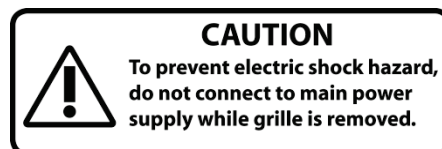
ISTRUZIONI DI SICUREZZA IMPORTANTI.....	14
DICHIARAZIONE DI CONFORMITÀ.....	15
GARANZIA LIMITATA.....	15
CONDIZIONI D'USO	15
INTRODUZIONE.....	16
DESCRIZIONE	16
FUNZIONI DEL PANNELLO PRINCIPALE	16
ISTRUZIONI DI MONTAGGIO DELLA STAFFA KPTLPT	18
ESEMPIO CONNESSIONI	21
ACCESSORI OPZIONALI	22
SPECIFICHE TECNICHE.....	22
DISEGNO MECCANICO.....	23

ISTRUZIONI DI SICUREZZA IMPORTANTI



Guarda questi simboli:

- Il lampo con la freccia all'interno di un triangolo equilatero ha lo scopo di avvisare l'utente della presenza di "tensione pericolosa" non isolata all'interno della custodia del prodotto, che può essere di ampiezza sufficiente a costituire un rischio di scossa elettrica per le persone.
 - Il punto esclamativo all'interno di un triangolo equilatero avverte l'utente della presenza di importanti istruzioni operative e di manutenzione (assistenza) nella documentazione che accompagna l'apparecchio.
1. Leggere queste istruzioni.
 2. Conservare queste istruzioni.
 3. Fare attenzione a tutti gli avvertimenti.
 4. Seguire tutte le istruzioni.
 5. Non usare questo dispositivo vicino all'acqua.
 6. Pulire solo con uno strofinaccio asciutto.
 7. Non bloccare alcuna fessura di ventilazione. Installare conformemente alle istruzioni del produttore.
 8. Non installare nelle vicinanze di fonti di calore come radiatori, caloriferi, stufe o altri apparecchi (amplificatori compresi) che generano calore.
 9. Non annullare l'obiettivo di sicurezza delle spine polarizzate o con messa a terra. Le spine polarizzate hanno due lame, con una più larga dell'altra. Una spina con messa a terra ha due lame e un terzo polo di terra. La lama larga o il terzo polo servono per la sicurezza dell'utilizzatore. Se la spina fornita non è adatta alla propria presa, consultate un elettricista per la sostituzione della spina.
 10. Disporre il cavo di alimentazione in modo tale da essere protetto dal calpestio e da spigoli taglienti e che non possa essere danneggiato, in particolare in prossimità delle spine, del cavo di prolunga e nel punto in cui il cavo di alimentazione esce dall'apparecchio.
 11. Usare solo dispositivi opzionali/accessori specificati dal produttore.
 12. Usare solo con carrello, supporto, cavalletto, sostegno o tavola specificate dal produttore o acquistati con l'apparecchio. Quando si usa un carrello, prestare attenzione, muovendo il carrello/la combinazione di apparecchi, a non ferirsi.
 13. Staccare la spina in caso di temporale o quando non si usa l'apparecchio per un lungo periodo.
 14. Per l'assistenza tecnica rivolgersi a personale qualificato. L'assistenza tecnica è necessaria nel caso in cui l'unità sia danneggiata, per es. per problemi del cavo di alimentazione o della spina, rovesciamento di liquidi od oggetti caduti nell'apparecchio, esposizione alla pioggia o all'umidità, anomalie di funzionamento o cadute dell'apparecchio.
 15. Avvertenza: per ridurre il rischio di incendi o scosse elettriche, non esporre questo apparecchio alla pioggia o all'umidità.
 16. Non esporre questa apparecchiatura a gocciolamenti o schizzi e assicurarsi che nessun oggetto riempito di liquidi, come i vasi, venga posta sull'apparecchiatura.
 17. Per scollegare completamente questo apparato dalla rete elettrica AC, scollegare la spina del cavo di alimentazione dalla presa elettrica AC.
 18. La spina di alimentazione del cavo di alimentazione deve rimanere facilmente accessibile.
 19. Questo apparecchio contiene tensioni potenzialmente letali. Per evitare scosse elettriche o rischi, non rimuovere lo chassis, il modulo di ingresso o le coperture degli ingressi AC. All'interno non ci sono parti riparabili dall'utente. Per l'assistenza, rivolgersi a personale di assistenza qualificato.
 20. Gli altoparlanti trattati in questo manuale non sono destinati ad ambienti esterni ad alta umidità. L'umidità può danneggiare il cono dell'altoparlante e la cornice e causare la corrosione dei contatti elettrici e delle parti metalliche. Evitare di esporre gli altoparlanti all'umidità diretta.
 21. Tenere gli altoparlanti lontani dalla luce solare diretta prolungata o intensa. La sospensione del driver si asciugherà prematuramente e le superfici finite potrebbero essere degradate dall'esposizione a lungo termine alla luce ultravioletta (UV) intensa.
 22. Gli altoparlanti possono generare una notevole energia. Quando viene posizionato su una superficie scivolosa come legno lucidato o linoleum, l'altoparlante potrebbe spostarsi a causa della sua emissione di energia acustica.
 23. È necessario prendere precauzioni per assicurare che l'altoparlante non cada da un palco o da un tavolo su cui è posizionato.
 24. Gli altoparlanti sono facilmente in grado di generare livelli di pressione sonora (SPL) sufficienti a causare danni permanenti all'udito agli artisti, alla troupe di produzione e ai membri del pubblico. È necessario prestare attenzione per evitare l'esposizione prolungata a SPL superiore a 90 dB.





Il marchio riportato sul prodotto o sulla documentazione indica che il prodotto non deve essere smaltito con altri rifiuti domestici al termine del ciclo di vita. Per evitare eventuali danni all'ambiente si invita l'utente a separare questo prodotto da altri tipi di rifiuti e di riciclarlo in maniera responsabile per favorire il riutilizzo sostenibile delle risorse materiali. Gli utenti domestici sono invitati a contattare il rivenditore presso il quale è stato acquistato il prodotto o l'ufficio locale preposto per tutte le informazioni relative alla raccolta differenziata e al riciclaggio per questo tipo di prodotto. Gli utenti aziendali sono invitati a contattare il proprio fornitore e verificare i termini e le condizioni del contratto di acquisto. Questo prodotto non deve essere smaltito unitamente ad altri rifiuti commerciali.

DICHIARAZIONE DI CONFORMITÀ

Il prodotto è conforme alle seguenti direttive europee:

EMC 2014/30/EU, RED 2014/53/EU, LVD 2014/35/EU, RoHS 2011/65/EU and WEEE 2012/19/EU.

AVVERTIMENTO EN 55032 (CISPR 32)

Questo è un apparecchio di Classe A. In un ambiente residenziale questo apparecchio può provocare radio disturbi. In questo caso può essere richiesto all'utilizzatore di prendere misure adeguate.

Sotto il disturbo EM, il rapporto segnale-rumore verrà modificato oltre i 10 dB.

GARANZIA LIMITATA

Proel garantisce tutti i materiali, la lavorazione e il corretto funzionamento di questo prodotto per un periodo di due anni dalla data di acquisto originale. I difetti rilevati entro il periodo di garanzia sui prodotti venduti, attribuibili a materiali difettosi o difetti di costruzione, devono essere tempestivamente segnalati al proprio rivenditore o distributore, allegando evidenza scritta della data di acquisto e descrizione del tipo di difetto riscontrato. Sono esclusi dalla garanzia difetti causati da uso improprio o manomissione. Proel constata tramite verifica sui resi la difettosità dichiarata, correlata all'appropriato utilizzo, e l'effettiva validità della garanzia; provvede quindi alla sostituzione o riparazione dei prodotti, declinando tuttavia ogni obbligo di risarcimento per danni diretti o indiretti eventualmente derivanti dalla difettosità.

- L'imballo è stato sottoposto a test di integrità secondo la procedura ISTA 1A. Si raccomanda di controllare il prodotto subito dopo l'apertura dell'imballo.
- Se vengono riscontrati danni informare immediatamente il rivenditore. Conservare quindi l'imballo completo per permetterne l'ispezione.
- Proel declina ogni responsabilità per danni causati dal trasporto.
- Le merci sono vendute "franco nostra sede" e viaggiano sempre a rischio e pericolo del distributore.
- Eventuali avarie e danni dovranno essere contestati al vettore. Ogni reclamo per imballi manomessi dovrà essere inoltrato entro 8 giorni dal ricevimento.

CONDIZIONI D'USO

Proel non si assume alcuna responsabilità per danni causati a terzi a causa di installazione impropria, uso di parti di ricambio non originali, mancanza di manutenzione, manomissione o uso improprio di questo prodotto, incluso il mancato rispetto di standard di sicurezza accettabili e applicabili. Proel raccomanda vivamente di sospendere questo cabinet per altoparlanti tenendo in considerazione tutte le normative nazionali, federali, statali e locali vigenti. Il prodotto deve essere installato da personale qualificato. Si prega di contattare il produttore per ulteriori informazioni.



INTRODUZIONE

Grazie per aver scelto un prodotto PROEL. Dedicate del tempo alla lettura di questo manuale per comprendere tutte le funzionalità del vostro sistema e sfruttare al massimo le sue possibilità operative. Tutti i nostri prodotti sono conformi alle normative CE per un utilizzo continuo in applicazioni professionali.

DESCRIZIONE

LTX8A di PROEL è un sistema di altoparlanti attivi con cabinet in multistrato che offre il rinomato suono PROEL e prestazioni di alto livello in un prodotto affidabile e conveniente. Per la costruzione del cabinet abbiamo utilizzato il legno multistrato, un materiale molto leggero e resistente che rende la movimentazione e l'installazione di questo diffusore molto semplice e veloce. La vernice resistente e antigraffio e le griglie in acciaio con uno strato interno di schiuma forniscono una protezione adeguata per anni di servizio. La staffa **KPTLTP** in dotazione consente di installare il diffusore a parete e soffitto con inclinazione e orientamento variabile, offrendo la possibilità di ottenere una copertura più uniforme. **LTX8A** ha anche un adattatore che consente di utilizzare il sistema come un sistema audio portatile con un supporto per altoparlanti da pavimento standard.

Per la riproduzione delle alte frequenze abbiamo progettato una **tromba a dispersione simmetrica 90x90°**, in grado di fornire una copertura costante per un vasto pubblico e una risposta dettagliata con bassa distorsione. Il woofer ad alta escursione, insieme al cabinet reflex accuratamente accordato, offre una risposta estesa con bassi profondi e veloci.

Il modulo di potenza estremamente leggero è dotato delle ultime tecnologie per l'amplificazione, come l'alimentatore Switching e gli stadi di uscita di CLASSE D, ed è in grado di fornire una grande quantità di potenza in un peso ridotto. **LTX8A** include una sofisticata sezione di pre-amplificazione, con filtri crossover allineati in fase e tagli fino a 24 dB/ott. e con filtri EQ attivi per la regolazione fine del sistema. Il circuito **DUAL LIMITER** garantisce un suono non distorto anche al livello più alto e una protezione totale degli altoparlanti.

FUNZIONI DEL PANNELLO PRINCIPALE

1. CONNETTORE INGRESSO

Questo è un connettore COMBO che accetta un connettore XLR o JACK da qualsiasi dispositivo o mixer a livello di linea bilanciato o sbilanciato.

Le terminazioni dell'ingresso XLR sono le seguenti:

Pin 1 = schermo o massa

Pin 2 = + positivo o "caldo"

Pin 3 = - negativo o "freddo"

Le terminazioni dell'ingresso JACK sono le seguenti:

Tip (punta) = + positivo o "caldo"

Ring (anello) = - negativo o "freddo"

Sleeve (manicotto) = schermo o massa

Quando si collega un segnale sbilanciato, le terminazioni sono le seguenti:

Tip (punta) = + positivo o "caldo"

Sleeve (manicotto) = schermo o massa

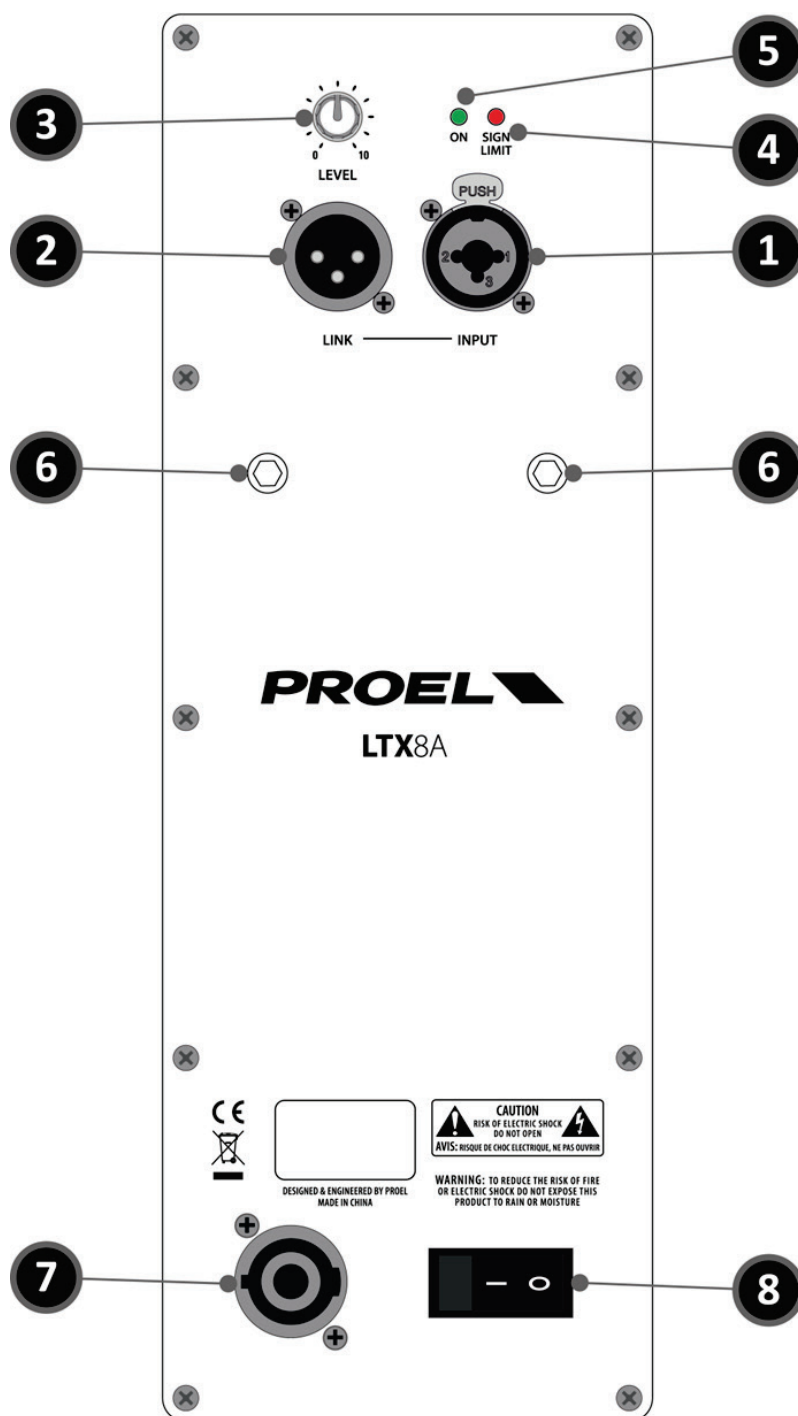
2. CONNETTORE LINK

Questo è un connettore XLR maschio collegato in parallelo al rispettivo ingresso LINE IN, quindi il LINK è cablato come ingresso LINE IN. Collegalo all'ingresso di altri altoparlanti alimentati per creare un array.

3. LINE LEVEL CONTROL

Controllo di livello rotativo che attenua il livello del segnale in ingresso inviato all'amplificatore interno. L'attenuazione va da "0" completamente chiuso (il segnale è completamente attenuato) a "10" completamente aperto (il segnale è al livello nominale). Questo controllo non influisce sul segnale che

passa attraverso il connettore LINK.



4. INDICATORE SEGNALE/LIMITER

Il LED VERDE indica la presenza del segnale all'ingresso dell'amplificatore.

Il LED ROSSO si accende quando l'uscita dell'amplificatore interno è limitata. Quando questo LED lampeggia continuamente, ridurre il livello del segnale in ingresso.

5. INDICATORE ON

LED VERDE: indica che l'amplificatore è stato acceso e che l'alimentazione è disponibile.

6. FISSAGGI M6

Questi due punti di fissaggio sono dove fissare la staffa KPTLTP fornita con l'altoparlante.

7. AC~ SOCKET

Inserire in questa presa il cavo di alimentazione di rete, utilizzando esclusivamente il cavo in dotazione. Accertarsi che il diffusore sia spento prima di collegarlo alla rete. Il connettore è dotato di un sistema di bloccaggio: inserirlo e ruotarlo in senso orario fino allo scatto del sistema di blocco. Per scollegare la spina, spingere indietro il fermo e ruotare la spina in senso antiorario.

8. POWER

Tasto per l'accensione e lo spegnimento dell'apparecchio. Esso è acceso "ON" quando il tasto è in posizione "I".

ISTRUZIONI DI MONTAGGIO DELLA STAFFA KPTLPT

FIG.1

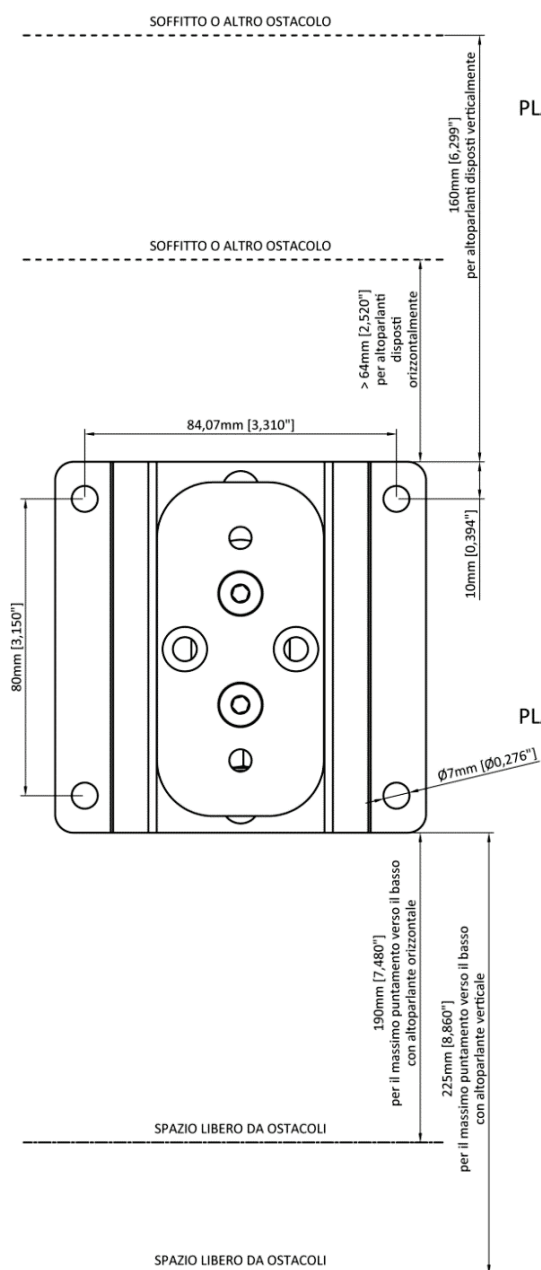


FIG.2

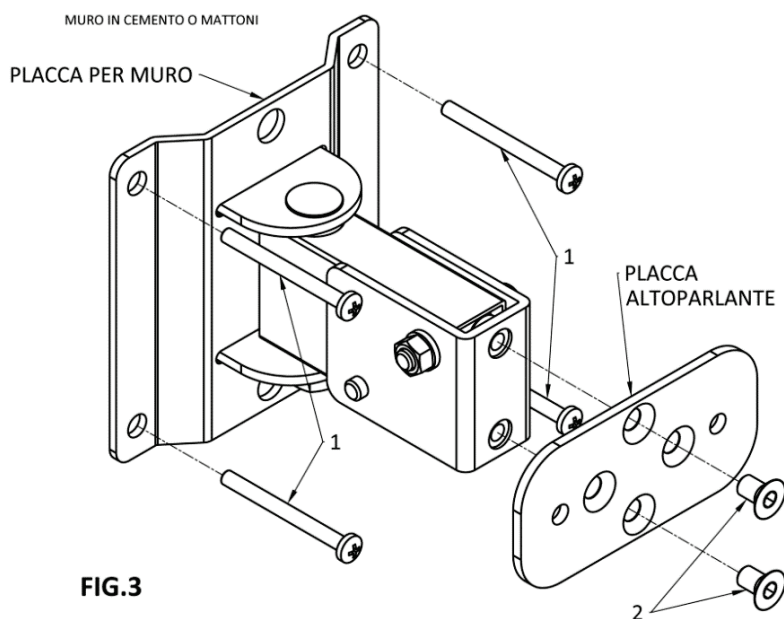
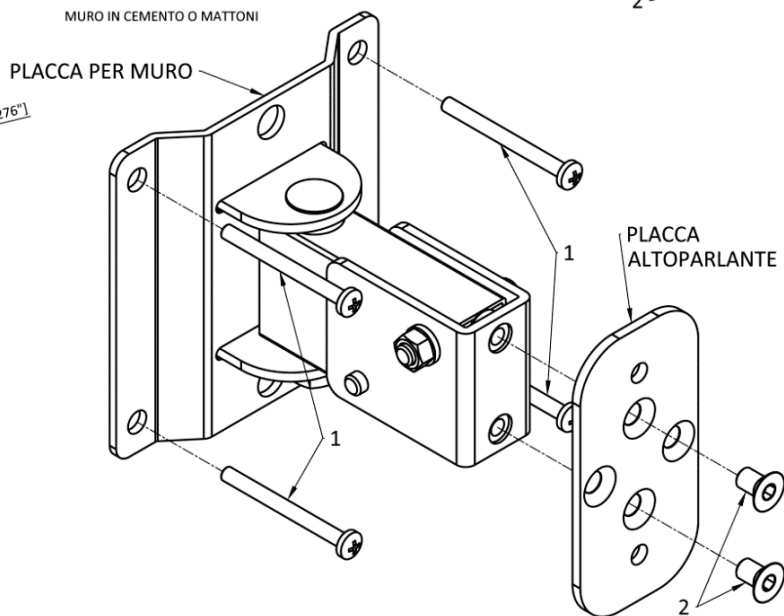
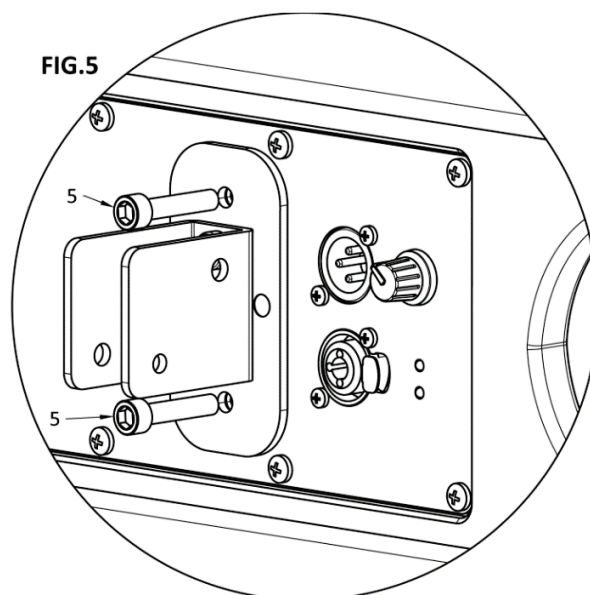
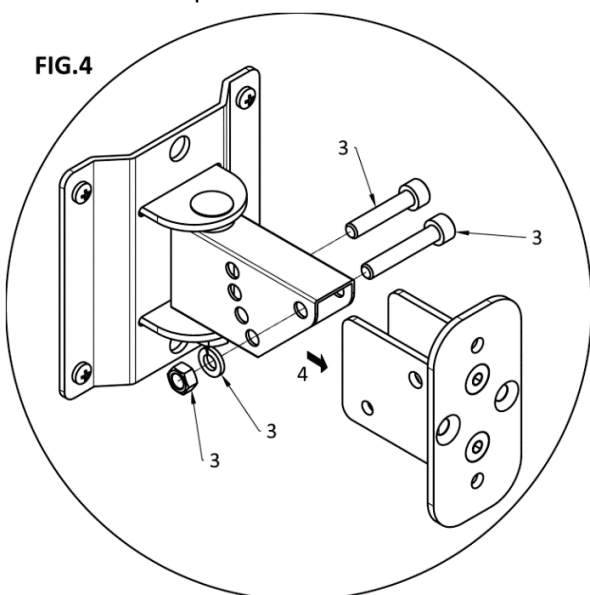


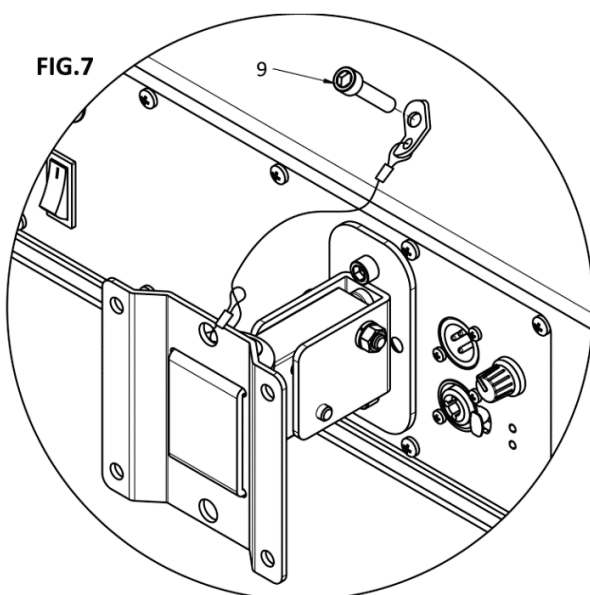
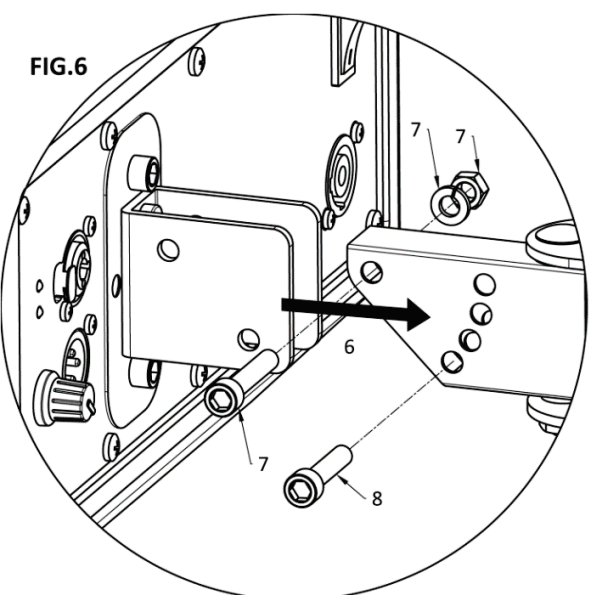
FIG.3



- Montare il KPTLTP sulla parete tenendo conto dello spazio libero necessario attorno ad esso per un corretto puntamento del diffusore come mostrato in FIG.1.
- Fissare la piastra a muro alla parete utilizzando un apposito tassello e vite (non in dotazione) in grado di sostenere dieci volte il peso del diffusore e del suo supporto. Utilizzare sempre il miglior tassello di fissaggio disponibile per pareti in cemento o mattoni: non tentare di montare questo supporto su pareti inadeguate come cartongesso o muro di legno. La responsabilità del corretto montaggio è dell'installatore.
- Successivamente la piastra del diffusore deve essere montata nella posizione corretta per il posizionamento del diffusore. Se il diffusore è montato in verticale la piastra deve essere posizionata come in FIG.2, se il diffusore è montato in orizzontale la piastra deve essere posizionata come in FIG.3.
- Separare la piastra del diffusore dalla piastra a parete rimuovendo viti e dadi come mostrato in FIG.4.
- Montare la piastra del diffusore sul retro del diffusore come mostrato in FIG.5.



- Riassemblare la piastra del diffusore con la piastra a parete come mostrato in FIG.6.
- Collegare la fune di sicurezza al diffusore utilizzando la vite sul lato come mostrato in FIG.7.



- Le FIG.8 e FIG.9 mostrano le possibili combinazioni per orientare il diffusore sull'asse verticale: la FIG.8 per il diffusore montato verticalmente, la FIG.9 per il diffusore montato orizzontalmente.
- Le FIG.10 e FIG.11 mostrano il possibile orientamento del diffusore sull'asse orizzontale: la FIG.10 per il diffusore montato verticalmente, la FIG.11 per il diffusore montato orizzontalmente.

FIG.8
ANGOLI INCLINAZIONE DISPOSIZIONE VERTICALE:

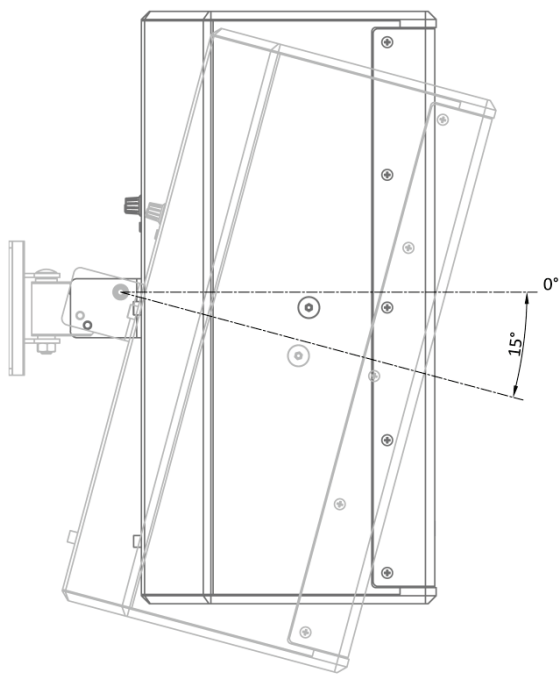


FIG.9
ANGOLI INCLINAZIONE DISPOSIZIONE ORIZZONTALE:

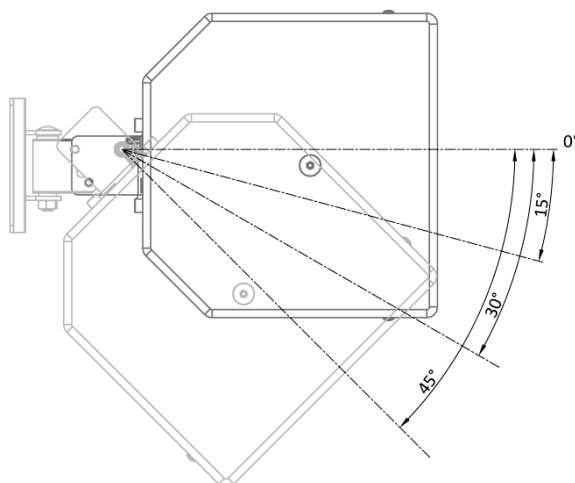


FIG.10
ORIENTAZIONE MASSIMA PER 0°

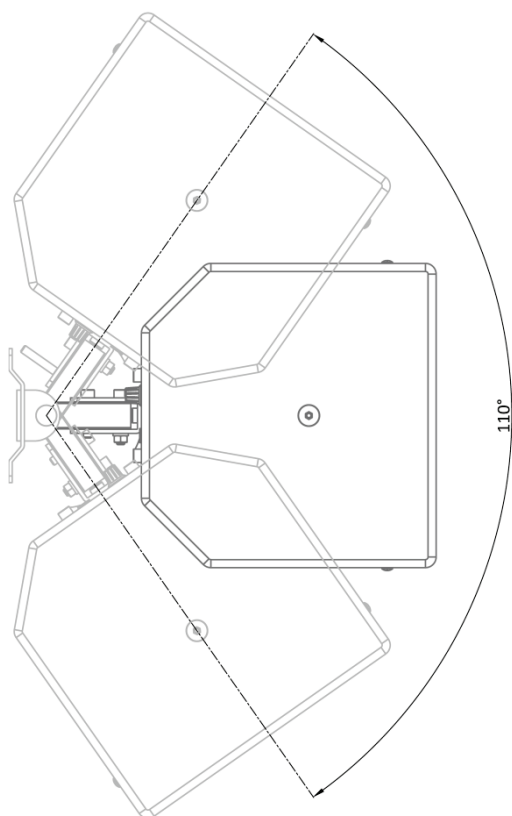
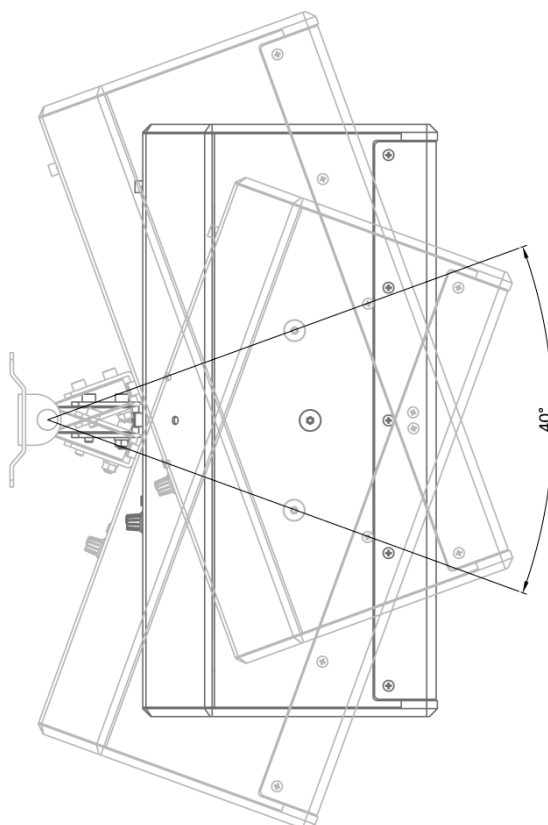
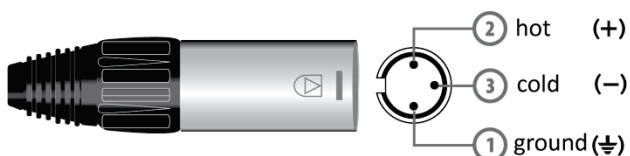
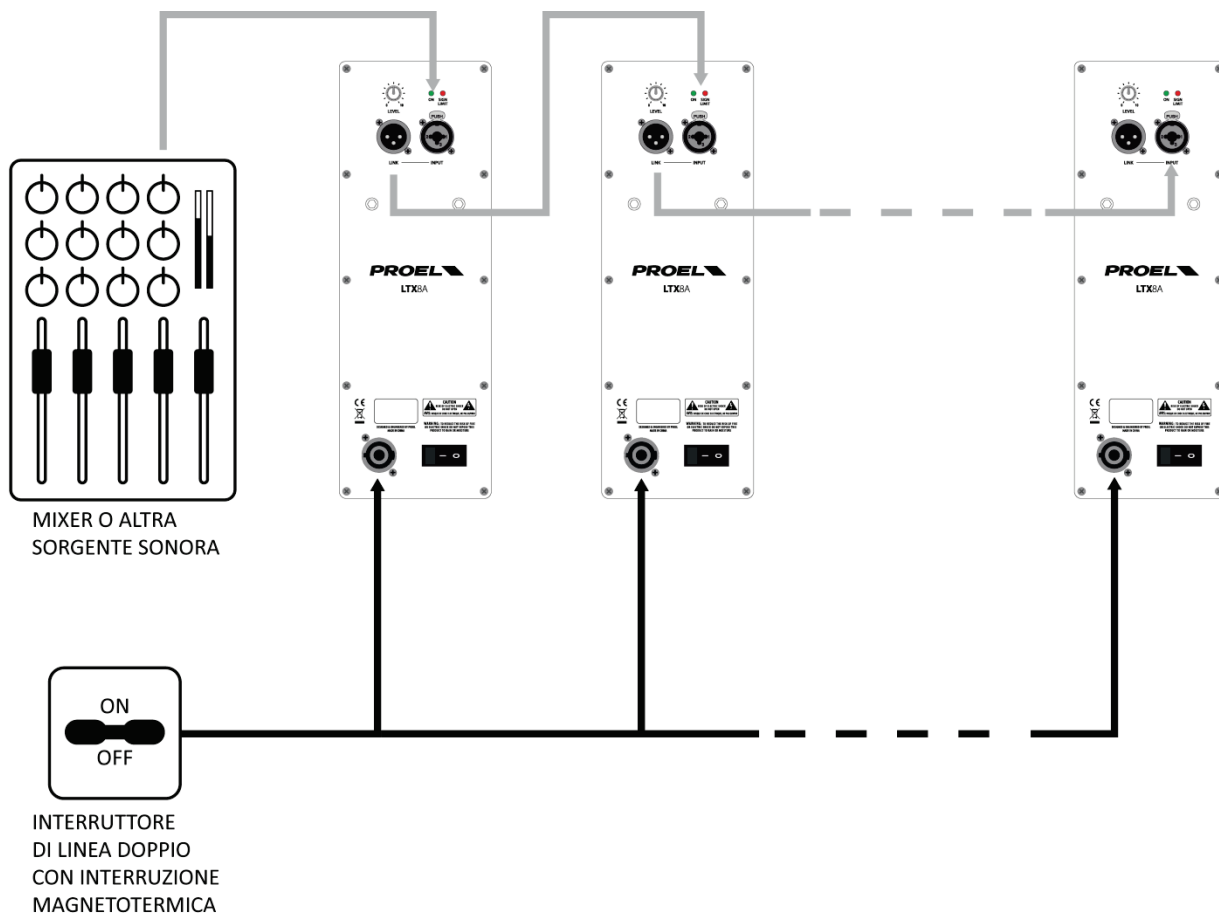


FIG.11
ORIENTAZIONE MASSIMA PER 0°

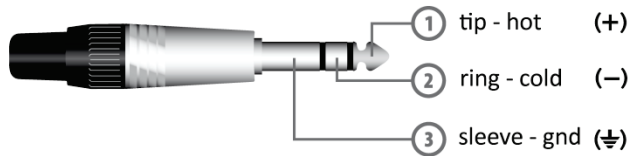


ESEMPIO CONNESSIONI

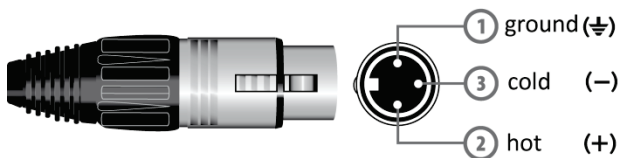
IMPORTANTE: utilizzare sempre connessioni audio bilanciate per le linee lunghe.



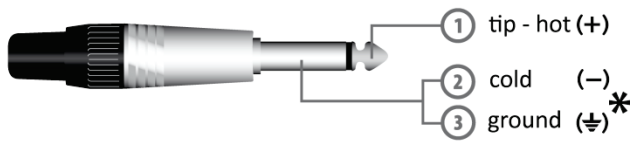
INPUT (ingresso)
XLR bilanciato maschio



INPUT (ingresso)
Jack (bilanciato)



LINK (uscita)
XLR bilanciato femmina



INPUT (ingresso)
Jack (sbilanciato)

*nota: connettere insieme cold e ground per cavi da bilanciato a sbilanciato (non usare con cavi particolarmente lunghi)

ACCESSORI OPZIONALI

Altri accessori sono disponibili per installazioni temporanee o fisse:

SUPPORTO DA PAVIMENTO PER ALTOPARLANTI

- **FRE300K** – supporto in alluminio nero (**FRE300KIT** doppio con borsa).

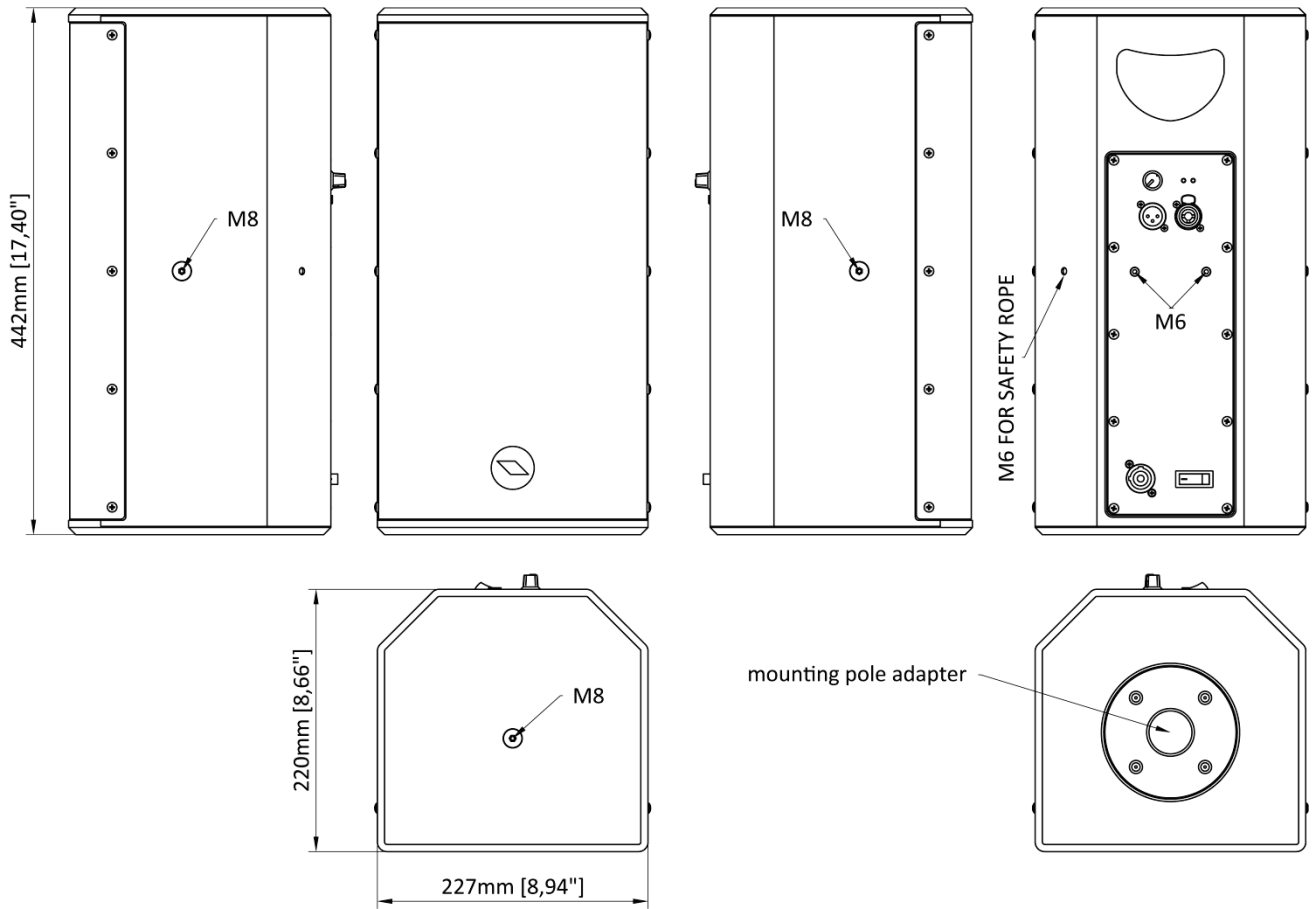


SPECIFICHE TECNICHE

<i>Sistema</i>	LTX8A
<i>Altoparlante per Alti</i>	2-vie bass reflex
<i>Altoparlante per Bassi</i>	Driver 1" a compressione con bobina da 25.4mm
<i>Copertura Angolare</i>	Woofer 8" con bobina da 38.1mm
<i>Potenza di Picco</i>	90° H x 90° V
<i>Potenza Continua Alti</i>	320 W
<i>Potenza Continua Bassi</i>	80 W Class D
<i>Tipo di Alimentazione</i>	80 W Class D
<i>Processamento Sistema</i>	SMPS
<i>Risposta in Frequenza</i>	Analogico
<i>SPL Massima</i>	70 Hz - 20 kHz
<i>Connettori</i>	121 dB
	IN: JACK/XLR F COMBO
	LINK: XLR M
<i>Impedenza Ingresso</i>	15k (LINE)
<i>Controlli</i>	LEVEL
<i>Alimentazione</i>	100-240 V~ at 50/60 Hz
<i>Consumo Nominale</i>	150 W
SPECIFICHE GENERALI	
<i>Sistema di Sospensione</i>	3 x M8 - sopra/fianco 3 x M6 posteriore
<i>Costruzione</i>	Legno multistrato
<i>Colore</i>	Bianco/Nero
<i>Maniglie</i>	1 posteriore
<i>Flangia per support</i>	1 sotto
<i>Staffa di Fissaggio</i>	KPTLTP Staffa per muro
<i>Dimensioni (L x H x P)</i>	227 x 442 x 220 mm
<i>Peso</i>	7.0 kg / 15.4 lbs.

* Il Consumo Nominale è misurato con rumore rosa con fattore di cresta di 12 dB, che può essere considerato un programma musicale standard.

MECHANICAL DRAWING / DISEGNO MECCANICO





PROEL S.p.A.

(World Headquarters - Factory)

Via alla Ruenia 37/43

64027 Sant'Omero (Te) – Italy

Tel: +39 0861 81241

Fax: +39 0861 887862

www.proel.com