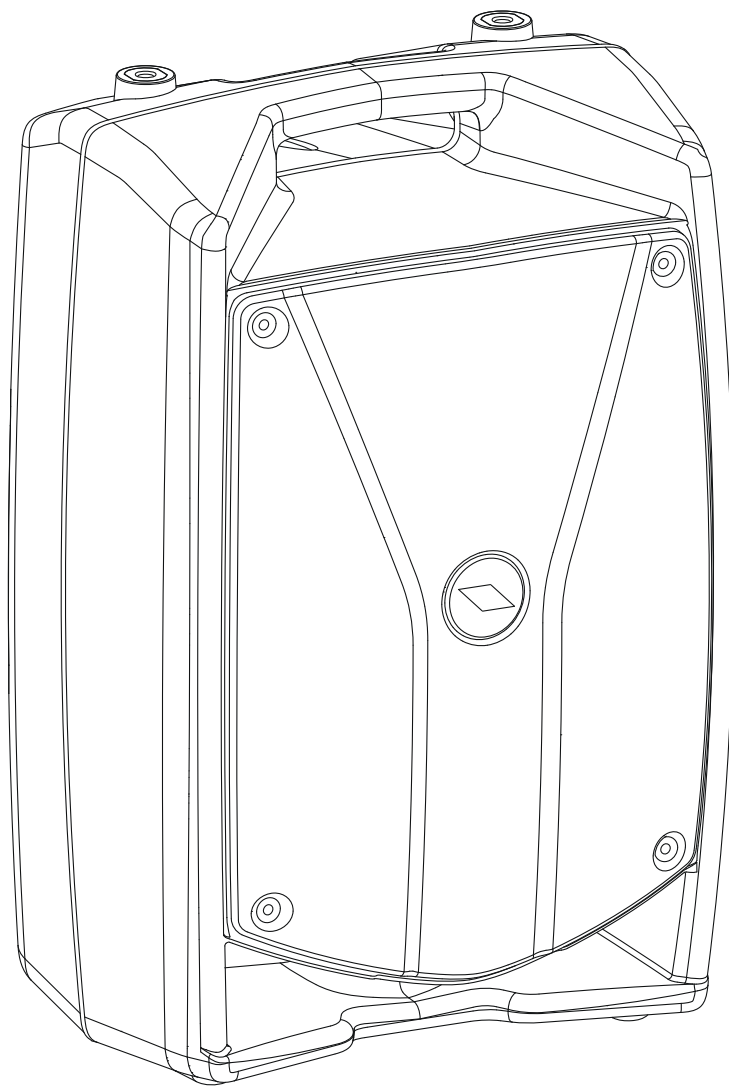




# V8PLUS

active loudspeaker

USER MANUAL  
MANUALE D'USO



## FCC COMPLIANCE NOTICE

This device complies with part 15 of the FCC rules. Operation is subject to the following two conditions:

- (1) This device may not cause harmful interference, and
- (2) this device must accept any interference received, including interference that may cause undesired operation.

**CAUTION: Changes or modifications not expressly approved by the party responsible for compliance could void the user's authority to operate the equipment.**

NOTE: This equipment has been tested and found to comply with the limits for a Class B digital device, pursuant to part 15 of the FCC Rules. These limits are designed to provide reasonable protection against harmful interference in a residential installation. This equipment generates, uses, and can radiate radio frequency energy and, if not installed and used in accordance with the instruction manual, may cause harmful interference to radio communications. However, there is no guarantee that interference will not occur in a particular installation. If this equipment does cause harmful interference to radio or television reception, which can be determined by turning the equipment off and on, the user is encouraged to try to correct the interference by one or more of the following measures:

- Reorient or relocate the receiving antenna.
- Increase the separation between the equipment and receiver.
- Connect the equipment into an outlet on a circuit different from that to which the receiver is connected.
- Consult the dealer or an experienced radio/TV technician for help.



This marking shown on the product or its literature, indicates that it should not be disposed with other household wastes at the end of its working life. To prevent possible harm to the environment or human health from uncontrolled waste disposal, please separate this from other types of wastes and recycle it responsibly to promote the sustainable reuse of material resources. Household users should contact either the retailer where they purchased this product, or their local government office, for details of where and how they can take this item for environmentally safe recycling. Business users should contact their supplier and check the terms and conditions of the purchase contract. This product should not be mixed with other commercial wastes for disposal.



The lightning flash with arrowhead symbol within an equilateral triangle is intended to alert the user to the presence of uninsulated "dangerous voltage" within the product's enclosure, that may be of sufficient magnitude to constitute a risk of electric shock to persons.



The exclamation point within an equilateral triangle is intended to alert the user to the presence of important operating and maintenance (servicing) instructions in the literature accompanying the appliance.

The information contained in this publication has been carefully prepared and checked. However no responsibility will be taken for any errors. All rights are reserved and this document cannot be copied, photocopied or reproduced in part or completely without written consent being obtained in advance from PROEL. PROEL reserves the right to make any aesthetic, functional or design modification to any of its products without any prior notice. PROEL assumes no responsibility for the use or application of the products or circuits described herein.



Il marchio riportato sul prodotto o sulla documentazione indica che il prodotto non deve essere smaltito con altri rifiuti domestici al termine del ciclo di vita. Per evitare eventuali danni all'ambiente si invita l'utente a separare questo prodotto da altri tipi di rifiuti e di riciclarlo in maniera responsabile per favorire il riutilizzo sostenibile delle risorse materiali. Gli utenti domestici sono invitati a contattare il rivenditore presso il quale è stato acquistato il prodotto o l'ufficio locale preposto per tutte le informazioni relative alla raccolta differenziata e al riciclaggio per questo tipo di prodotto. Gli utenti aziendali sono invitati a contattare il proprio fornitore e verificare i termini e le condizioni del contratto di acquisto. Questo prodotto non deve essere smaltito unitamente ad altri rifiuti commerciali.



Il simbolo del lampo con freccia in un triangolo equilatero intende avvertire l'utilizzatore per la presenza di "tensioni pericolose" non isolate all'interno dell'involucro del prodotto, che possono avere una intensità sufficiente a costituire rischio di scossa elettrica alle persone.



Il punto esclamativo in un triangolo equilatero intende avvertire l'utilizzatore per la presenza di importanti istruzioni per l'utilizzo e la manutenzione nella documentazione che accompagna il prodotto.

Le informazioni contenute in questo documento sono state attentamente redatte e controllate. Tuttavia non è assunta alcuna responsabilità per eventuali inesattezze. Tutti i diritti sono riservati e questo documento non può essere copiato, fotocopiato, riprodotto per intero o in parte senza previo consenso scritto della PROEL. PROEL si riserva il diritto di apportare senza preavviso cambiamenti e modifiche estetiche, funzionali o di design a ciascun proprio prodotto. PROEL non assume alcuna responsabilità sull'uso o sull'applicazione dei prodotti o dei circuiti qui descritti.



## INDEX

TECHNICAL SPECIFICATIONS .....	3
DIMENSIONS AND FLYING POINTS.....	4
ACCESSORIES .....	5
CONNECTIONS (FIG.1) .....	6
CONTROL PANEL (FIG.2).....	6
CONFIGURATIONS (FIG.3) .....	7
SAFETY AND PRECAUTIONS .....	8
IN CASE OF FAULT .....	8
TROUBLESHOOTING .....	8
CE CONFORMITY .....	9
PACKAGING, SHIPPING AND COMPLAINT .....	9
WARRANTY AND PRODUCTS RETURN .....	9
INSTALLATION AND DISCLAIMER .....	9
POWER SUPPLY AND MAINTENANCE .....	9
GENERAL INFORMATION .....	10
INSTRUCTIONS (FIG. 1 / 2 / 3) .....	10

## INDICE

SPECIFICHE TECNICHE .....	3
DIMENSIONI E PUNTI DI SOSPENSIONE.....	4
ACCESSORI .....	5
CONNESSIONI (FIG.1) .....	6
PANNELLO DI CONTROLLO (FIG.2).....	6
CONFIGURAZIONI (FIG.3) .....	7
AVVERTENZE PER LA SICUREZZA .....	12
IN CASO DI GUASTO .....	12
PROBLEMATICHE COMUNI.....	12
CONFORMITÀ CE.....	13
IMBALLAGGIO, TRASPORTO E RECLAMI .....	13
GARANZIE E RESI .....	13
INSTALLAZIONE E LIMITAZIONI D'USO.....	13
ALIMENTAZIONE E MANUTENZIONE .....	13
INFORMAZIONI GENERALI .....	14
ISTRUZIONI (FIG. 1 / 2 / 3).....	14

## TECHNICAL SPECIFICATIONS

MODEL	V8PLUS
<i>System type</i>	2-way vented enclosure
<i>High Frequency Device</i>	1" neodymium compression driver
<i>Low Frequency Device</i>	8" woofer with 1.5"VC
<i>Angular Coverage</i>	90° H x 60° V
<i>Total peak power</i>	400 W
<i>HF Amplifier Cont. Power</i>	50 W Class D
<i>LF Amplifier Cont. Power</i>	150 W Class D
<i>Power Supply type</i>	SMPS
<i>Frequency Response</i>	70 Hz - 20 kHz
<i>Processing</i>	Analogue
<i>Max SPL at 1mt (peak)</i>	121 dBspl
<i>Crossover Frequency</i>	2000 Hz
<i>Input Impedance</i>	30 kohm balanced 15 kohm unbalanced
<i>Input Sensitivity</i>	LINE: +4 dBu / MIC: -20 dBu
<i>Controls</i>	MIC/LINE selector, LEVEL, LOW EQ, HIGH EQ, GND lift, FRONT LED selector.
<i>Connectors</i>	MIC/LINE: Combo XLR-F / JACK LINK: XLR-M
<i>Power Supply</i>	230 V~ or 120 V~ - 50/60 Hz
<i>Rated Consumption</i>	150 W
<i>Construction</i>	Polypropylene
<i>Cabinet Colour</i>	Black
<i>Flying System</i>	4 x M8 top/bottom
<i>Handles</i>	1 x top
<i>Mounting Pole</i>	1 x bottom
<i>Monitor taper</i>	46°
<i>Weight</i>	7 Kg (15.4 lb)
<i>Dimensions (W x H x D)</i>	280 x 422 x 263 mm

## SPECIFICHE TECNICHE

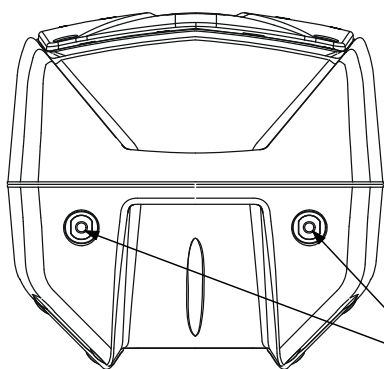
MODELLO	V8PLUS
<i>Sistema</i>	2-way vented enclosure
<i>Altoparlante alti</i>	1" neodymium compression driver
<i>Altoparlante bassi</i>	8" woofer - 1.5"VC
<i>Copertura angolare</i>	90° H x 60° V
<i>Potenza massima di picco</i>	400 W
<i>Potenza Continua Amp. Alti</i>	50 W Classe D
<i>Potenza Continua Amp. Bassi</i>	150 W Classe D
<i>Tipo alimentazione</i>	SMPS
<i>Risposta in Frequenza</i>	70 Hz - 20 kHz
<i>Processamento</i>	Analogico
<i>SPL max a 1m (picco)</i>	121 dBspl
<i>Frequenza Crossover</i>	2000 Hz
<i>Impedenza ingresso</i>	30 kohm bilanciato 15 kohm sbilanciato
<i>Sensibilità ingresso</i>	LINE: +4 dBu / MIC: -20 dBu
<i>Controlli</i>	selettore MIC/LINE, LEVEL, LOW EQ, HIGH EQ, GND lift, selettore FRONT LED.
<i>Connettori</i>	MIC/LINE: Combo XLR-F / JACK LINK: XLR-M
<i>Tensione alim. di rete</i>	230 V~ o 120 V~ - 50/60 Hz
<i>Consumo nominale</i>	150 W
<i>Costruzione</i>	Polipropilene
<i>Colore</i>	Nero
<i>Sistema di sospensione</i>	4 x M8 top/bottom
<i>Maniglie</i>	1 x top
<i>Flangia per supporto</i>	1 x bottom
<i>Inclinazione monitor</i>	46°
<i>Peso</i>	7 Kg
<i>Dimensioni (LxAxP)</i>	280 x 422 x 263 mm

\* Rated consumption is measured with pink noise with a crest factor of 12 dB, this can be considered a standard music program.

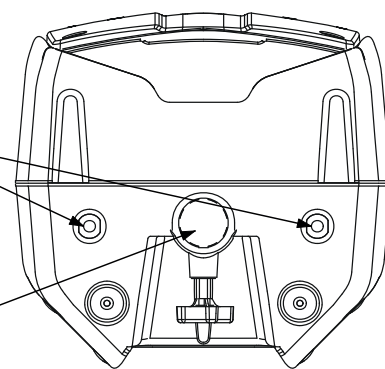
\* Il consumo nominale è misurato con un rumore rosa con un fattore di cresta di 12 dB, considerato come un programma standard di musica.

## DIMENSIONS AND FLYING POINTS

## DIMENSIONI E PUNTI DI SOSPENSIONE

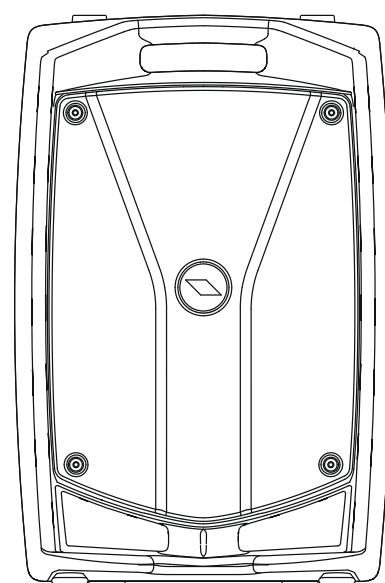
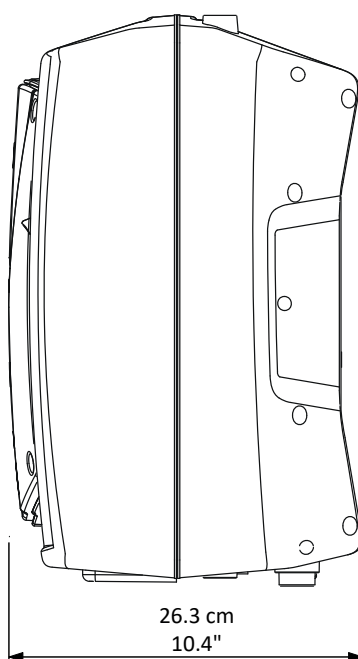
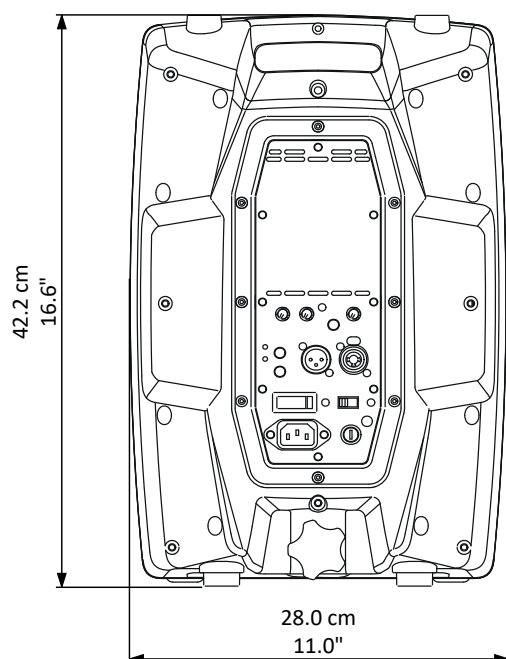


M8 Flying Point



M8 Flying Point

Pole Adapter



## ACCESSORIES

### KP210

Adjustable speaker pole for speaker-subwoofer separation with terminal pieces  $\varnothing$  35 mm. Supplied with a bolt locking mechanism incorporating a steel pin for extra safety. Adjustment: 825 - 1320 mm.

### FRE300BK

Professional aluminium floor-stand for speaker with terminal pieces  $\varnothing$  35mm. Supplied with a screw locking system, a steel safety pin and "Aircushioned" air-damped release device to grant a flexible, fast and easy adjustment. Adjustment: 1470-2180 mm.

### KPTV8

C-shape metal bracket for wall mount with +/- 45° free rotation.

### KPTNX04

Horizontal and Vertical adjustable metal bracket for wall mount, bar length 25 cm, 12.5° 4 step vert. aiming, 10° 7 step hor. aiming, must be used in conjunction with KPTV8.

### PLH300

Single aluminium coupler for 50mm truss with M12 bolt, always use two couplers with the KPTV for each speaker.

### COVERV8

Heavy duty cover for carrying.

## ACCESSORI

### KP210

Supporto distanziatore cassa-subwoofer regolabile in acciaio con terminali  $\varnothing$  35mm. Dotato di meccanismo di chiusura a vite con pin di sicurezza in acciaio. Regolazione: 825 - 1320 mm.

### FRE300BK

Supporto professionale in alluminio da pavimento con terminali  $\varnothing$  35mm. Con sistema di blocco a vite, pin di sicurezza in acciaio e dispositivo di smorzamento ad aria per la massima velocità e facilità di regolazione. Regolazione: 1470-2180 mm.

### KPTV8

Supporto in metallo a C per montaggio a muro con rotazione di +/- 45°.

### KPTNX04

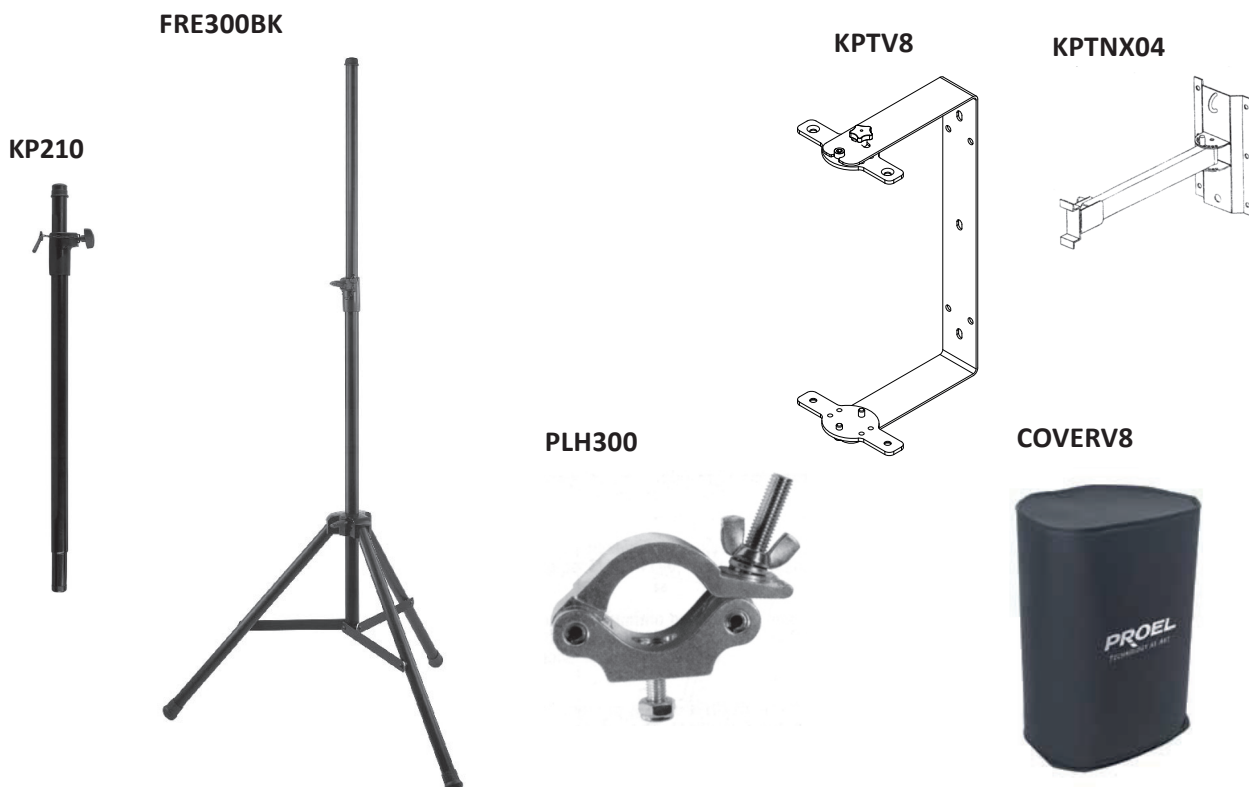
Staff a in metallo regolabile in orizzontale e verticale per montaggio a muro, lunghezza barra 25 cm, 4 passi a 12.5° in verticale e 7 passi a 10° in orizzontale, deve essere usata con l'accessorio KPTV8.

### PLH300

Accoppiatore per truss 50mm in alluminio con bullone M12, usarne sempre due insieme all'accessorio KPTV.

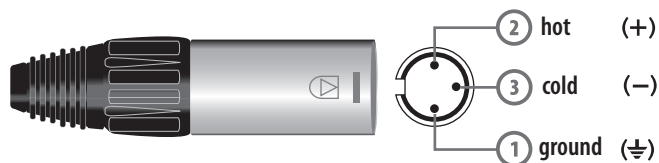
### COVERV8

Copertura di protezione per il trasporto.



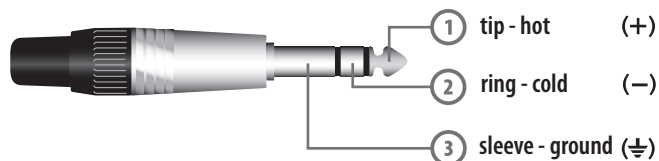
## CONNECTIONS (FIG.1)

## CONNESSIONI (FIG.1)



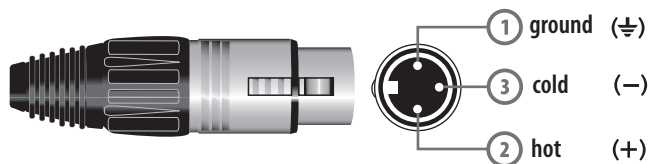
INPUT  
Balanced male XLR

INPUT (ingresso)  
XLR bilanciato maschio



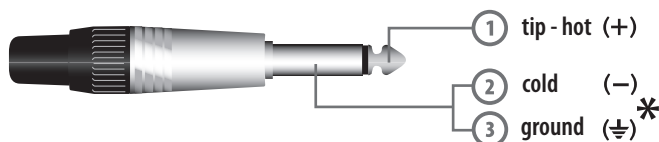
INPUT  
Jack (balanced)

INPUT (ingresso)  
Jack (bilanciato)



LINK (output)  
Balanced female XLR

LINK (uscita)  
XLR bilanciato femmina



INPUT  
Jack (unbalanced)

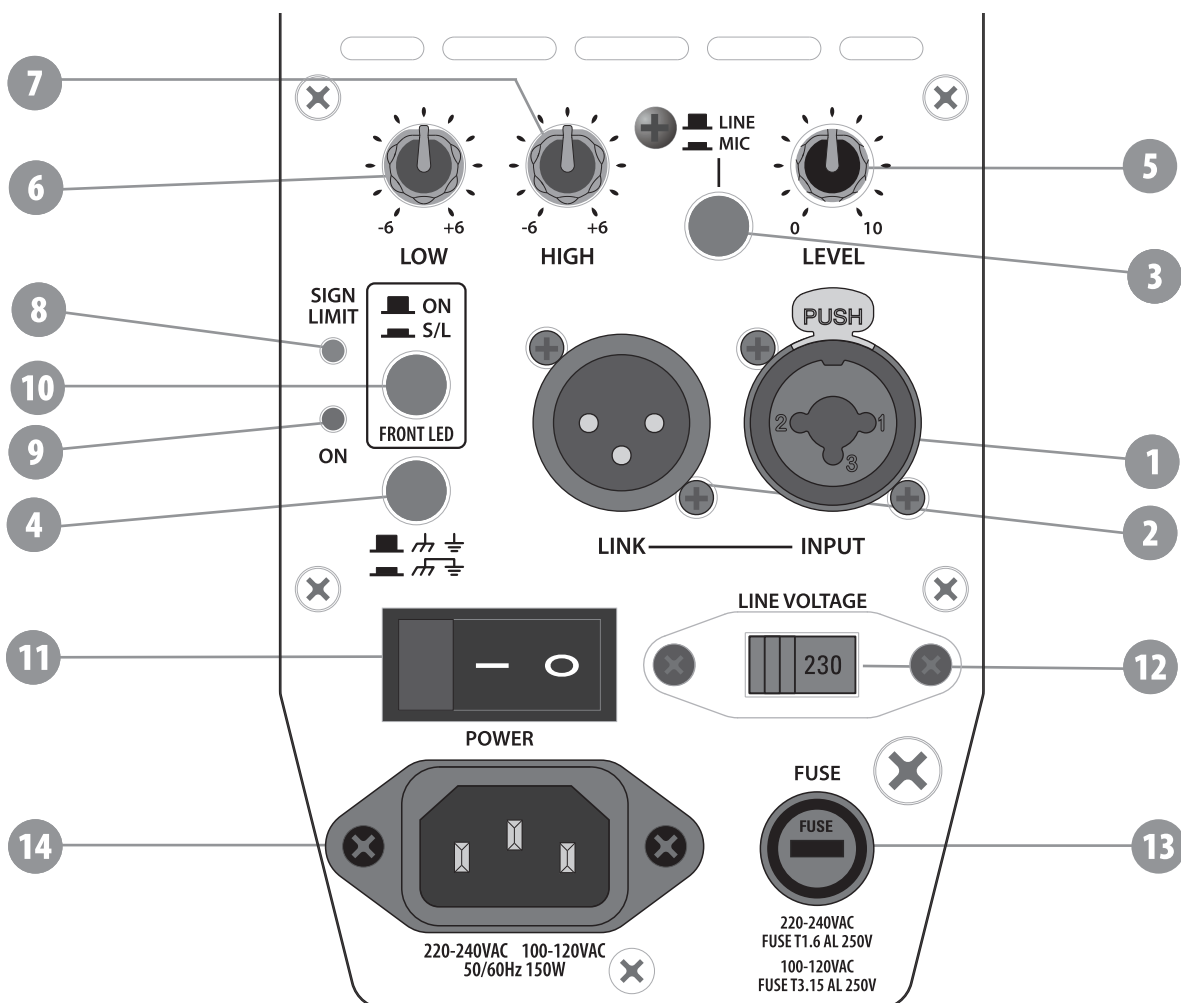
INPUT (ingresso)  
Jack (sbilanciato)

\*note: connect both cold and ground  
to make cable from balanced to unbalanced

\*nota: connettere insieme cold e ground  
per cavi da bilanciato a sbilanciato

## CONTROL PANEL (FIG.2)

## PANNELLO DI CONTROLLO (FIG.2)

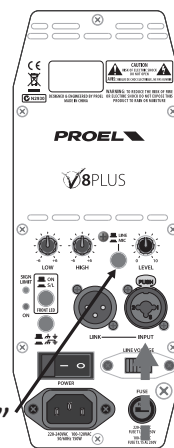
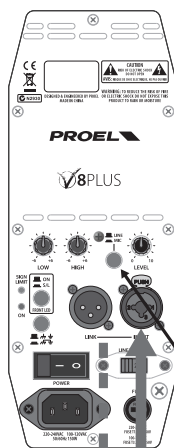


basic  
conference  
system

**V8PLUS**  
(mic in)  
single voice system

**V8PLUS**  
(mic in)  
double voice system

dynamic microphone  
PROEL suggested types:  
**DM580 - DM580LC - DM226**  
**DM220 - DM800**  
or  
**WM wireless mic**



set this switch as "MIC"

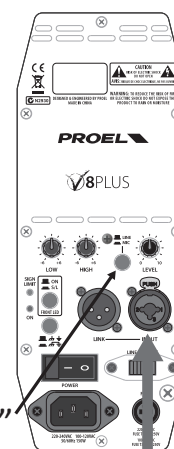
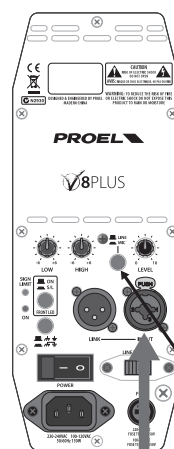
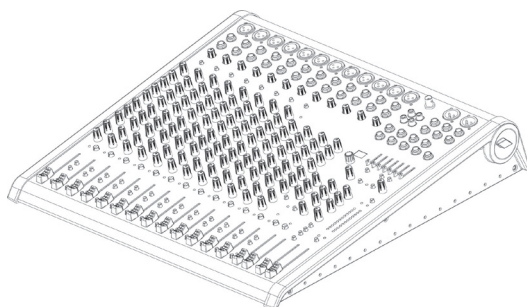
use preferably balanced cables

stereo basic system  
2x **V8PLUS**

LEFT  
**V8PLUS**

RIGHT  
**V8PLUS**

PROEL suggested  
equipment:  
**Mi and M series mixer**



set this switch as "LINE"





## SAFETY AND PRECAUTIONS

• **⚠ CAUTION:** before using this product read carefully the following safety instructions. Take a look of this manual entirely and preserve it for future reference.

When using any electric product, basic precautions should always be taken, including the following:

- To reduce the risk, close supervision is necessary when the product is used near children.
- Protect the apparatus from atmospheric agents and keep it away from water, rain and high humidity places.
- This product should be site away from heat sources such as radiators, lamps and any other device that generate heat.
- This product should be located so that its location or position does not interfere with its proper ventilation and heating dissipation.
- Care should be taken so that objects and liquids do not go inside the product.
- The product should be connected to a power supply mains line only of the type described on the operating instructions or as marked on the product. Connect the apparatus to a power supply using only power cord included making always sure it is in good conditions.
- **⚠ WARNING:** The mains plug is used as disconnect device, the disconnect device shall remain readily operable.
- Do not cancel the safety feature assured by means of a polarized line plug (one blade wider than the other) or with a earth connection.
- Make sure that power supply mains line has a proper earth connection.
- Power supply cord should be unplugged from the outlet during strong thunderstorm or when left unused for a long period of time.
- Do not place objects on the product's power cord or place it in a position where anyone could trip over, walk on or roll anything over it. Do not allow the product to rest on or to be installed over power cords of any type. Improper installations of this type create the possibility of fire hazard and/or personal injury.

– This product may be capable of producing sound levels that could cause permanent hearing loss. Exposure to extremely high noise levels may cause permanent hearing loss. Individuals vary considerably in susceptibility to noise-induced hearing loss, but nearly everyone will lose some hearing if exposed to sufficiently intense noise for a period of time. The U.S. Government's Occupational Safety and Health Administration (OSHA) has specified the permissible noise level exposures shown in the following chart. According to OSHA, any exposure in excess of these permissible limits could result in some hearing loss. To ensure against potentially dangerous exposure to high sound pressure levels, it is recommended that all persons exposed to equipment capable of producing high sound pressure levels use hearing protectors while the equipment is in operation. Ear plugs or protectors in the ear canals or over the ears must be worn when operating the equipment in order to prevent permanent hearing loss if exposure is in excess of the limits set forth here. Keep your's attention that children and pets are more susceptible to excessive noise levels.

Duration Per Day In Hours	Sound Level dBA Slow Response	Typical Example
8	90	Duo in small club
6	92	
4	95	Subway Train
3	97	
2	100	Very loud classical music
1.5	102	
1	105	Traffic noise
0.5	110	
0.25 or less	115	Loudest parts at a rock concert

## IN CASE OF FAULT

- In case of fault or maintenance this product should be inspected only by qualified service personnel when:
  - There is a flaw either in the connections or in the supplied connecting cables.
  - Liquids have spilled inside the product.
  - The product has fallen and been damaged.
  - The product does not appear to operate normally or exhibits a marked change in performance.
  - The product has been lost liquids or gases or the enclosure is damaged.
- Do not operate on the product, it has no user-serviceable parts inside, refer servicing to an authorized maintenance centre.

## TROUBLESHOOTING

<b>No Power</b>	<ul style="list-style-type: none"> <li>• The loudspeaker's "POWER" switch is off.</li> <li>• Make sure the mains AC outlet is live (check with a tester or a lamp).</li> <li>• Make sure the mains plug is securely plugged into mains AC outlet.</li> </ul>
<b>No Sound</b>	<ul style="list-style-type: none"> <li>• Is the input LEVEL control for the channel turned up?</li> <li>• Is the SIGNAL LED illuminated? If not check if your signal level is too low or check the signal cable, mixer and other equipment setting and cabling.</li> <li>• Are you sure your signal cables works properly? check it using a cable tester or replacing with a new one.</li> <li>• Are you sure your power cable works properly? check it using a cable tester or replacing with a new one.</li> </ul>
<b>Distorted Sound</b>	<ul style="list-style-type: none"> <li>• Input signal level is too high. Turn down your level controls.</li> </ul> <p>NOTE: The loudspeakers should never be operated at a level which causes the amplifier Clip LEDs to illuminate constantly.</p>
<b>Different channel level</b>	<ul style="list-style-type: none"> <li>• Check if are using a balanced cable for one channel and an unbalanced one for the other, as this would cause a considerable difference in channel levels.</li> </ul>
<b>Noise / Hum</b>	<ul style="list-style-type: none"> <li>• Enable GND LIFT button on rear panel, if the problem persist press all GND LIFT buttons for all system's amplifiers.</li> <li>• Whenever possible, preferably use only balanced cables. Unbalanced lines may also be used but may result in noise over long cable runs.</li> <li>• Sometimes it helps to plug all audio equipment into the same AC circuit so they share a common ground.</li> </ul>





## CE CONFORMITY

- Proel products comply with directive EMC 2014/30/CE, as stated in EN 55103-1 and EN 55103-2 standards and with directive LVD 2014/35/CE, as stated in EN 60065 standard.
- Under the EM disturbance, the ratio of signal-noise will be changed above 10dB.

## PACKAGING, SHIPPING AND COMPLAINT

- This unit package has been submitted to ISTA 1A integrity tests. We suggest you control the unit conditions immediately after unpacking it.
- If any damage is found, immediately advise the dealer. Keep all unit packaging parts to allow inspection.
- Proel is not responsible for any damage that occurs during shipment.
- Products are sold "delivered ex warehouse" and shipment is at charge and risk of the buyer.
- Possible damages to unit should be immediately notified to forwarder. Each complaint for package tampered with should be done within eight days from product receipt.

## WARRANTY AND PRODUCTS RETURN

- Proel products have operating warranty and comply their specifications, as stated by manufacturer.
- Proel warrants all materials, workmanship and proper operation of this product for a period of two years from the original date of purchase. If any defects are found in the materials or workmanship or if the product fails to function properly during the applicable warranty period, the owner should inform about these defects the dealer or the distributor, providing receipt or invoice of date of purchase and defect detailed description. This warranty does not extend to damage resulting from improper installation, misuse, neglect or abuse. Proel S.p.A. will verify damage on returned units, and when the unit has been properly used and warranty is still valid, then the unit will be replaced or repaired. Proel S.p.A. is not responsible for any "direct damage" or "indirect damage" caused by product defectiveness.

## INSTALLATION AND DISCLAIMER

- Proel products have been expressly designed for audio application, with signals in audio range (20Hz to 20kHz). Proel has no liability for damages caused in case of lack of maintenance, modifications, improper use or improper installation non-applying safety instructions.
- The installation of these speakers is provided for indoors, in case of use outdoors be sure that the speakers are installed correctly in a safe location protected from wind, rain and humidity. To avoid performance deterioration of mechanical, acoustics and electrical parts is not advisable to leave these speakers exposed outdoors for a long period of time, so we suggest a temporary installation for the limited sound events.
- The installation of these speakers is provided for floor or by means of specific stands able to support their weight. Therefore avoid installation on unstable elements such as: furniture, chairs and vibrant surfaces as stages or other speakers without appropriate fix point specifically designed to avoid speaker movement. Then avoid the use of inadequate supports, we suggest to use PROEL stands and accessories only.
- In case of the speakers are provided of rigging points: **DO NOT SUSPEND THE SPEAKERS FROM THE HANDLES**, use exclusively these rigging points. Consult professional rigger or structural engineers prior to suspending loudspeakers from a structure not intended for that use. Always know the working load limit of the structure supporting the loudspeakers. Always make sure that the rigging hardware minimum rating is at least five times the actual load, speakers and rigging hardware.
- In case of suspended installations of active loudspeakers where is not possible to turn on and off the speakers from their appropriate switches, we recommend to install switches on the mains lines, for this purpose consult an expert electrician for the exact dimension of wiring.
- Locate the speakers as far away as possible from radio or television receivers or other sensitive equipment. These speakers have a strong magnetic field which can induce hum and noise into unshielded devices that are located nearby with consequent deterioration of reception of image and sound.
- Proel S.p.A. reserves the right to change these specifications at any time without notice.
- Proel S.p.A. declines any liability for damages to objects or persons caused by lacks of maintenance, improper use, installation not performed with safety precautions and at the state of the art.

## POWER SUPPLY AND MAINTENANCE

- Clean only with dry cloth.
- Check periodically that the slots for its proper ventilation and heating dissipation are not obstructed by dust, remove the dust using a dry brush or a compressed air gun.
- The amplified loudspeakers of Proel have been designed with CLASS I construction and must be connected always to a mains socket outlet with a protective earth connection (the third grounding prong).
- Before connecting the product to the mains outlet make certain that the mains line voltage matches that shown on the rear of the product, a tolerance of up to  $\pm 10\%$  is acceptable.
- Inside the amplified loudspeakers are present special safety devices such as:
  - ✓ Transformer and amplifier over-heating protection.
  - ✓ Protection against excessive power applied at each speaker.
- **⚠ THE REPLACEMENT OF FUSES INSIDE THE APPARATUS MUST BE MADE ONLY BY QUALIFIED PERSONNEL.**
- **⚠ CHECK THE CONDITION OF THE PROTECTION FUSE, ACCESSIBLE OUTWARD, ONLY WITH THE APPARATUS SWITCHED OFF AND DISCONNECTED FROM THE MAINS LINE OUTLET.**
- **⚠ REPLACE THE PROTECTION FUSE ONLY WITH SAME TYPE AS SHOWN ON THE PRODUCT.**
- **⚠ IF AFTER THE SUBSTITUTION, THE FUSE INTERRUPTS AGAIN THE APPARATUS WORKING, DO NOT TRY AGAIN THEN CONTACT THE PROEL SERVICE CENTRE.**



## GENERAL INFORMATION

Thank you for having chosen a PROEL product.

**V PLUS series** is the evolution of the acclaimed **V series** of PROEL powered loudspeakers delivering absolute value in terms of performance, engineering and design at a more affordable cost.

These ultra-portable speakers combine, in carefully engineered and light-weight cabinets, the clearest and most accurate PROEL sound with Class D amplifier technology and Switch Mode Power Supply, offering an unbeatable PA solution at its price point.

**V8PLUS** features an extremely efficient amplifier module capable of delivering 400 W of robust power to the transducers. Thanks to the use of SMPS technology, this power comes in an ultra-lightweight package, making the V PLUS models the most portable PROEL speakers ever. The power module is hosted in a fully sealed aluminium box, which provides protection, perfect insulation of the cabinet from the outside and extremely efficient cooling.

Thanks to the carefully selected speakers and to the sophisticated active electronics, including dual CLIP LIMITERS for an undistorted sound even at the loudest level, the sound of the V8PLUS has been precisely tuned in every details, in order to provide unheard performance in this price range.

The V8PLUS cabinet, expression of the most advanced Italian design, includes a super-comfortable luggage-style top handle for an effortless portability. The slanted shape allows the speaker to be laid on its side and used also as stage monitor.

## INSTRUCTIONS (FIG. 1 / 2 / 3)

### 1. INPUT (combo XLR-JACK input)

This is a female combo connector, which accepts a XLR or a JACK plug from almost any type of equipment with a balanced or unbalanced outputs. The XLR input is wired as follows:

- Pin 1 = shield or ground
- Pin 2 = + positive or "hot"
- Pin 3 = - negative or "cold"

The JACK input is wired as follows:

- Tip = + positive or "hot"
- Ring = - negative or "cold"
- Sleeve = shield or ground

When connecting an unbalanced signal, wire them as follows:

- Pin2 / Tip = + positive or "hot"
- Pin 1-3 / Sleeve = shield or ground

**NOTE:** whenever possible, use always balanced cables. Unbalanced lines may also be used but may result in noise over long cable runs. In any case, avoid using a balanced cable for one channel and an unbalanced one for the other.

### 2. LINK (XLR output)

This is a male XLR connector, it is connected in parallel with the respective INPUT socket, so the LINK is wired as INPUT. Connect these to the inputs of other powered speakers to make an array.

### 3. MIC / LINE switch

This switch adjusts the gain of the LINE/MIC input varying the sensitivity between MIC, suited to connect a microphone, and LINE, suited to connect a device with high level output like a MIXER, a CD player etc.

**NOTE:** do not use the MIC sensitivity to "pump up" the volume with the LINE level equipment, in order to avoid the analogue input saturation that could produce very annoying distortion.

### 4. GND LIFT switch

This switch lift the ground of the balanced audio inputs from the earth-ground of the amplifier. If you have HUM noise problem on one or more loudspeaker try to change the position of these switches (often all up or all down for all the amplifiers in the system). Please note that to have an effect all cables must be balanced.

### 5. LEVEL control

Rotary level control: it attenuates the level of the signal sent to the INPUT. The attenuation ranges from "0" fully closed (the signal is completely attenuated) to "10" fully open, nominal level (the signal is not attenuated in any way, so it is fed to the internal amplifier at the same level at which it arrives on input).

### 6. LOW control

This control gives you up to 6 dB boost or cut at 90 Hz with a "SHELVING" curve shape. Use it to add or reduce the sound "punch", or to reduce the low frequency rise when the speaker is set near walls or on floor as stage monitor.



### 7. HIGH control

This control gives you up to 6 dB boost or cut at 8 KHz with a "SHELVING" curve shape. Use it to add or reduce the sound "clarity" and "brightness".

### 8. SIGN/LIMIT indicator

GREEN LED illuminates to indicate the presence of the signal at the amplifier input.

RED LED illuminates when the internal amplifier's output is limited. When this LED flashes reduce the input signal level.

### 9. ON indicator

GREEN LED: when lighted indicates amplifier has been turned on and AC power is available.

### 10. FRONT LED switch

This switch enables the front LED to indicate the speaker power ON status or to replicate the SIGNAL/LIMIT indication.

### 11. POWER switch

Speaker is "ON" when the switch is in the "I" position, use this switch to set the speaker power to ON or OFF.

**NOTE:** When you shut down your equipment, turn off the speaker first. When powering up, turn on the speaker last.

### 12. LINE VOLTAGE selector

This switch sets the AC voltage line of your country (usually it is set by factory and isn't necessary to change it). The 115V setting is for mains line in the range of 105-120V~ and 230V setting is for mains line in the range of 210-240V~.



**WARNING: AN INCORRECT SETTING OF AC LINE VOLTAGE COULD DAMAGE SERIOUSLY THE INTERNAL ELECTRONICS!**

### 13. FUSE holder

Here is placed the mains protection fuse.



**WARNING: REPLACE THE PROTECTION FUSE ONLY WITH SAME TYPE AS SHOWN ON THE PRODUCT. IF AFTER THE SUBSTITUTION, THE FUSE INTERRUPTS AGAIN THE APPARATUS WORKING, DO NOT TRY AGAIN THEN CONTACT THE PROEL SERVICE CENTER.**

### 14. AC~ socket

Here's where you plug in your speaker's mains supply cord. You should always use the mains cord supplied with the speaker. Be sure your speaker is turned off before you plug the mains supply cord into an electrical outlet.



## AVVERTENZE PER LA SICUREZZA

• **⚠ ATTENZIONE:** Durante le fasi di uso o manutenzione, devono essere prese alcune precauzioni onde evitare danneggiamenti alle strutture meccaniche ed elettroniche del prodotto.

Prima di utilizzare il prodotto, si prega di leggere attentamente le seguenti istruzioni per la sicurezza. Prendere visione del manuale d'uso e conservarlo per successive consultazioni:

- In presenza di bambini, controllare che il prodotto non rappresenti un pericolo.
- Posizionare l'apparecchio al riparo dagli agenti atmosferici e a distanza di sicurezza dall'acqua, dalla pioggia e dai luoghi ad alto grado di umidità.
- Collocare o posizionare il prodotto lontano da fonti di calore quali radiatori, griglie di riscaldamento e ogni altro dispositivo che produca calore.
- Collocare o posizionare il prodotto in modo che non ci siano ostruzioni alla sua propria ventilazione e dissipazione di calore.
- Evitare che qualsiasi oggetto o sostanza liquida entri all'interno del prodotto.
- Il prodotto deve essere connesso esclusivamente alla rete elettrica delle caratteristiche descritte nel manuale d'uso o scritte sul prodotto, usando esclusivamente il cavo rete in dotazione e controllando sempre che sia in buono stato, in particolare la spina e il punto in cui il cavo esce dal prodotto.
- **⚠ ATTENZIONE:** Se il cavo rete viene scollegato dall'apparecchio per spegnerlo, il cavo rete rimarrà operativo in quanto la sua spina è ancora collegata alla rete elettrica.
- Non annullare la sicurezza garantita dall'uso di spine polarizzate o con messa a terra.
- Fare attenzione che il punto di alimentazione della rete elettrica sia dotato di una efficiente presa di terra.
- Disconnettere il prodotto dalla rete elettrica durante forti temporali o se non viene usato per un lungo periodo di tempo.
- Non disporre oggetti sul cavo di alimentazione, non disporre i cavi di alimentazione e segnale in modo che qualcuno possa inciamparci. Altresì non disporre l'apparecchio sui cavi di altri apparati. Installazioni inappropriate di questo tipo possono creare la possibilità di rischio di incendio e/o danni alle persone.

– Questo prodotto può essere capace di produrre livelli sonori che possono causare perdite d'udito permanenti. Si raccomanda di evitare l'esposizione ad alti livelli sonori o livelli non confortevoli per lunghi periodi di tempo. Se si notano perdite d'udito o acufeni (fischi) consultare un audiologo. La sensibilità alla perdita di udito causata da eccessiva esposizione al rumore varia considerevolmente da individuo a individuo, ma mediamente ciascuno può accusare perdita di udito se esposto al rumore per un certo periodo di tempo. Come suggerimento viene riportata la tabella dei tempi massimi di esposizione giornaliera al rumore al fine di evitare perdite di udito, fonte della tabella è l'ente per la salute degli Stati Uniti (OSHA).

Si fa presente inoltre che sia i bambini che gli animali domestici sono più sensibili al rumore intenso.

Ore di esposizione giornaliera	Livello sonoro in dBA costante di tempo SLOW	Esempio Tipico
8	90	Duo acustico in un piccolo club
6	92	
4	95	Treno metropolitano
3	97	
2	100	Musica classica molto forte
1.5	102	
1	105	Rumore da traffico urbano intenso
0.5	110	
0.25 or less	115	Parte più rumorosa di un concerto rock

## IN CASO DI GUASTO

- In caso di guasto o manutenzione questo prodotto deve essere ispezionato da personale qualificato quando:
  - Ci sono difetti sulle connessioni o sui cavi di collegamento in dotazione.
  - Sostanze liquide sono penetrate all'interno del prodotto.
  - Il prodotto è caduto e si è danneggiato.
  - Il prodotto non funziona normalmente esibendo una marcato cambio di prestazioni.
  - Il prodotto perde sostanze liquide o gassose o ha l'involucro danneggiato.
- Non intervenire sul prodotto. Rivolgersi a un centro di assistenza autorizzato Proel.

## PROBLEMATICHE COMUNI

<b>Assenza di alimentazione</b>	<ul style="list-style-type: none"> <li>• L'interruttore dell'altoparlante è spento.</li> <li>• Accertarsi che ci sia effettivamente tensione sulla presa di corrente (controllare con un tester o una lampada).</li> <li>• Accertarsi che la spina di rete sia saldamente inserita nella presa.</li> </ul>
<b>Nessun Suono</b>	<ul style="list-style-type: none"> <li>• È il controllo di livello LINE IN girato al massimo?</li> <li>• È acceso il LED di segnale? Se no, controllate se il livello di segnale sia troppo basso o controllate il cavo di segnale, le impostazioni e i cablaggi di mixer o altri apparecchi collegati.</li> <li>• Sei sicuro che il cavo di segnale sia in buono stato? controlla il cavo con un tester oppure sostituiscilo con un altro.</li> </ul>
<b>Suono Distorto</b>	<ul style="list-style-type: none"> <li>• Il livello del segnale di ingresso è troppo alto, abbassare i controlli del livello.</li> </ul> <p>NOTA: L'altoparlante non deve mai lavorare con livelli che fanno illuminare in modo pressoché costante il LED rosso dell'amplificatore.</p>
<b>Livello differente sui canali</b>	<ul style="list-style-type: none"> <li>• Controllare se si stanno usando cavi bilanciati su un canale e sbilanciati sull'altro, ciò può comportare una notevole differenza di livello sui canali.</li> </ul>
<b>Rumore / Ronzio</b>	<ul style="list-style-type: none"> <li>• Abilitare l'interruttore GND LIFT sul pannello posteriore, se il problema persiste premere i GND LIFT su tutti gli amplificatori del sistema.</li> <li>• Qualora possibile, usare preferibilmente solo cavi bilanciati. Cavi sbilanciati possono essere usati ma risultano rumorosi su lunghe distanze.</li> <li>• Talvolta può essere di aiuto alimentare tutto l'equipaggiamento audio collegandolo dalla stessa linea di corrente AC, in modo che tutti gli apparati condividano la stessa presa di terra.</li> </ul>



## CONFORMITÀ CE

- I Prodotti Proel sono conformi alla direttiva EMC 2014/30/CE, secondo gli standard EN 55103-1 ed EN 55103-2 ed alla direttiva LVD 2014/35/CE, secondo lo standard EN 60065.
- Se sottoposto a disturbi EM, il rapporto segnale-rumore può essere superiore a 10dB.

## IMBALLAGGIO, TRASPORTO E RECLAMI

- L'imballo è stato sottoposto a test di integrità secondo la procedura ISTA 1A. Si raccomanda di controllare il prodotto subito dopo l'apertura dell'imballo.
- Se vengono riscontrati danni informare immediatamente il rivenditore. Conservare quindi l'imballo completo per permetterne l'ispezione.
- Proel declina ogni responsabilità per danni causati dal trasporto.
- Le merci sono vendute "franco nostra sede" e viaggiano sempre a rischio e pericolo del distributore.
- Eventuali avarie e danni dovranno essere contestati al vettore. Ogni reclamo per imballi manomessi dovrà essere inoltrato entro 8 giorni dal ricevimento.

## GARANZIE E RESI

- I Prodotti Proel sono provvisti della garanzia di funzionamento e di conformità alle proprie specifiche, come dichiarate dal costruttore.
- La garanzia di funzionamento è di 24 mesi dopo la data di acquisto. I difetti rilevati entro il periodo di garanzia sui prodotti venduti, attribuibili a materiali difettosi o difetti di costruzione, devono essere tempestivamente segnalati al proprio rivenditore o distributore, allegando evidenza scritta della data di acquisto e descrizione del tipo di difetto riscontrato. Sono esclusi dalla garanzia difetti causati da uso improprio o manomissione. Proel SpA constata tramite verifica sui resi la difettosità dichiarata, correlata all'appropriato utilizzo, e l'effettiva validità della garanzia; provvede quindi alla sostituzione o riparazione dei prodotti, declinando tuttavia ogni obbligo di risarcimento per danni diretti o indiretti eventualmente derivanti dalla difettosità.

## INSTALLAZIONE E LIMITAZIONI D'USO

- I Prodotti Proel sono destinati esclusivamente ad un utilizzo specifico di tipo sonoro: segnali di ingresso di tipo audio (20Hz-20kHz). Proel declina ogni responsabilità per danni a terzi causati da mancata manutenzione, manomissioni, uso improprio o installazione non eseguita secondo le norme di sicurezza.
- L'installazione di questi altoparlanti è prevista per uso interno, in caso di utilizzo all'esterno assicurarsi che gli altoparlanti siano installati correttamente in un luogo sicuro e protetto dal vento, pioggia e umidità. Al fine di non deteriorarne le prestazioni meccaniche, acustiche ed elettriche non è consigliato lasciare questi altoparlanti esposti all'aperto per lunghi periodi di tempo, si consiglia pertanto una installazione temporanea all'evento da sonorizzare.
- L'installazione di questi altoparlanti è prevista a pavimento o tramite specifici supporti adeguati al peso da sostenere. Pertanto evitare l'installazione su elementi instabili quali: mobili, sedie e superfici vibranti quali palchi e altri altoparlanti non dotati di fissaggi atti a evitare spostamenti dell'altoparlante. Quindi evitare di utilizzare supporti non adeguati, si consiglia di usare solo i supporti suggeriti da PROEL.
- Qualora gli altoparlanti siano muniti di punti di fissaggio per la sospensione: **NON SOSPENDERE GLI ALTOPARLANTI DALLE MANIGLIE** usare esclusivamente questi punti di fissaggio. Consultare attrezzisti professionisti o ingegneri strutturali prima di sospendere altoparlanti da strutture non intese per questo specifico scopo. Non superare il limite di carico della struttura che sosterrà gli altoparlanti. Assicurarsi che tutte le meccaniche di sostegno siano in grado di sopportare un peso almeno 5 volte superiore al carico degli altoparlanti incluse le meccaniche di sospensione.
- Nel caso di installazioni sospese di altoparlanti attivi in cui non sia possibile l'uso dei singoli interruttori degli altoparlanti per l'accensione e lo spegnimento dei medesimi, si raccomanda l'installazione di interruttori sulle linee di alimentazione della rete elettrica, a tale proposito consultare un esperto elettricista per il corretto dimensionamento dell'impianto elettrico.
- Installare questi altoparlanti il più lontano possibile da radiorecettori e televisori. Un altoparlante installato in prossimità di questi apparati può causare interferenza e rumore con conseguente degrado della ricezione di immagini e suoni.
- La Proel S.p.a. si riserva di modificare il prodotto e le sue specifiche senza preavviso.
- Proel declina ogni responsabilità per danni a terzi causati da mancata manutenzione, manomissioni, uso improprio o installazione non eseguita secondo le norme di sicurezza e a regola d'arte.

## ALIMENTAZIONE E MANUTENZIONE

- Pulire il prodotto unicamente con un panno asciutto.
- Controllare periodicamente che le aperture di raffreddamento non siano ostruite da accumuli di polvere, provvedere alla rimozione della polvere mediante un pennello o aria compressa.
- Gli altoparlanti amplificati della Proel sono costruiti in CLASSE I e prevedono sempre il collegamento mediante presa di corrente con terminale di terra di protezione (terzo terminale di terra).
- Prima di collegare l'apparecchio alla presa di corrente, accertatevi che la tensione di rete corrisponda a quella indicata sul retro dell'apparato, è consentito un margine del  $\pm 10\%$  rispetto al valore nominale.
- Negli altoparlanti amplificati sono presenti anche i seguenti dispositivi di sicurezza:
  - ✓ protezioni termiche del trasformatore e dell'amplificatore.
  - ✓ protezioni alla potenza erogata in eccesso ai singoli altoparlanti.
- **⚠ LA SOSTITUZIONE DI FUSIBILI ALL'INTERNO DELL'APPARATO È CONSENTITO SOLAMENTE A PERSONALE QUALIFICATO.**
- **⚠ CONTROLLARE LO STATO DEI FUSIBILI DI PROTEZIONE ESCLUSIVAMENTE AD APPARATO SPENTO E DISCONNESSO DALLA RETE ELETTRICA.**
- **⚠ RIMPIAZZARE IL FUSIBILE DI PROTEZIONE ESCLUSIVAMENTE CON UN FUSIBILE CON LE MEDESIME CARATTERISTICHE RIPORTATE SUL PRODOTTO.**
- **⚠ SE DOPO LA SOSTITUZIONE, IL FUSIBILE INTERROMPE NUOVAMENTE IL FUNZIONAMENTO DELL'APPARATO, NON INSISTERE E CONTATTARE IL SERVIZIO ASSISTENZA PROEL.**



## INFORMAZIONI GENERALI

Grazie per aver scelto un prodotto PROEL.

La nuova **serie V PLUS** è l'evoluzione dell'acclamata **serie V** di diffusori amplificati PROEL in grado di offrirvi il massimo valore possibile in termini di prestazioni, innovazione e design ad un prezzo ancora più conveniente.

Questi diffusori ultra-portatili uniscono, in cabinets leggeri e accuratamente progettati, il suono PROEL più dettagliato alla tecnologia in Classe D con Switch Mode Power Supply per gli amplificatori, offrendo una soluzione per la diffusione acustica imbattibile in questa categoria di prezzo.

Il modello V8PLUS include un modulo di amplificazione estremamente efficiente, in grado di fornire ai trasduttori 400 W di potenza totale. Grazie all'utilizzo della tecnologia SMPS, questa potenza viene generata da un dispositivo ultra-leggero, facendo dei modelli V PLUS i diffusori PROEL più portatili di sempre. Il modulo di potenza è alloggiato in un box di alluminio totalmente sigillato, che forniscono la massima protezione, un isolamento perfetto del cabinet dall'esterno e un sistema di raffreddamento particolarmente efficiente.

Grazie agli altoparlanti selezionati e alla sofisticata elettronica attiva, che include un doppio circuito di LIMITER per un suono indistorto anche ai massimi livelli, il suono della V8PLUS è stato accuratamente definito in modo da offrire una performance sorprendente per questa fascia di prezzo.

Il cabinet della V8PLUS, espressione del più avanzato design Italiano, include una super-comoda maniglia superiore in stile valigetta per un trasporto senza sforzi. Il profilo inclinato ne consente l'utilizzo anche su un fianco come monitor da palco.

## ISTRUZIONI (FIG. 1 / 2 / 3)

### 1. INPUT (ingresso COMBO XLR/JACK)

Questo è un connettore combinato XLR/JACK femmina che preleva il segnale da praticamente qualsiasi apparecchio bilanciato o sbilanciato. Le terminazioni dell'ingresso XLR sono:

- Pin 1 = schermo o massa
- Pin 2 = + positivo o "caldo"
- Pin 3 = - negativo o "freddo"

Le terminazioni dell'ingresso JACK sono:

- Tip (punta) = + positivo o "caldo"
- Ring (anello) = - negativo o "freddo"
- Sleeve (manicotto) = schermo o massa

E quando si collega un segnale sbilanciato, sono le seguenti:

- Pin2 / Tip (punta) = + positivo o "caldo"
- Pin 1-3 / Sleeve (manicotto) = schermo o massa

**NOTA:** Se possibile, usare sempre cavi bilanciati. Cavi sbilanciati possono essere usati ma potrebbero dare problemi di rumore se molto lunghi. In ogni caso, evitate di usare un cavo bilanciato per un canale e uno sbilanciato per l'altro.

### 2. LINK (XLR uscita)

Questo è un connettore XLR maschio connesso in parallelo con il rispettivo connettore INPUT, perciò il LINK è terminato come il LINE IN. Collegarlo ad altri altoparlanti amplificati per realizzare un complesso sistema di rinforzo sonoro.

### 3. MIC / LINE (selettore sensibilità linea / microfono)

Questo selettore cambia la sensibilità dell'ingresso variando il guadagno tra MIC, adatto a collegare direttamente un microfono, e LINE, adatto a collegare una apparecchiatura con uscita di livello elevato quale un MIXER, un lettore CD, etc.

**NOTE:** non usare la sensibilità MIC per "pompare" il volume con apparecchi a livello LINEA, onde evitare la saturazione del circuito di ingresso che può produrre una distorsione molto sgradevole.

### 4. GND LIFT (interruttore sollevamento massa)

Questo interruttore solleva la massa degli ingressi audio bilanciati dalla massa-terra dell'amplificatore. Se si hanno problemi di ronzio su uno o più altoparlanti provare a cambiare la posizione di questi interruttori: perché abbiano effetto spesso occorre siano tutti su o tutti giù per tutti gli amplificatori e che tutti i cavi siano bilanciati.

### 5. LEVEL (controllo di livello ingresso linea)

Controllo di livello rotativo: attenua il livello del segnale inviato all'amplificatore interno. L'attenuazione varia tra completamente chiuso "0" a completamente aperto "10" o livello nominale (il segnale non è attenuato in nessun modo, viene inviato all'amplificatore interno allo stesso livello con cui arriva all'ingresso).



## 6. LOW (equalizzatore controllo bassi)

Questo controllo permette di guadagnare o attenuare fino a 6 dB a 90 Hz con una curva di tipo "SHELVING". Da usarsi per aumentare o ridurre il "vigore" del suono, o per ridurre l'aumento delle basse frequenze quando l'altoparlante è posizionato vicino a muri o sul pavimento come monitor da palco.

## 7. HIGH (equalizzatore controllo alti)

Questo controllo permette di guadagnare o attenuare fino a 6 dB a 8 KHz con una curva di tipo "SHELVING". Da usarsi per aumentare o ridurre la "chiarezza" o "brillanza" del suono.

## 8. SIGN/LIMIT (indicatore di segnale e clip limiter)

LED VERDE che si accende per indicare la presenza del segnale sull'ingresso dell'amplificatore.

LED ROSSO che si accende quando l'uscita dell'amplificatore interno è limitata. Quando questo LED lampeggia ridurre il segnale di ingresso.

## 9. ON (indicatore di accensione)

LED VERDE: quando acceso indica che l'altoparlante è stato acceso e l'alimentazione AC è disponibile.

## 10. FRONT LED (interruttore)

Questo interruttore abilita il LED frontale ad indicare lo stato di accensione dell'altoparlante od a replicare l'indicazione SIGNAL/LIMIT.

## 11. POWER (interruttore di accensione)

L'altoparlante è acceso "ON" quando l'interruttore è nella posizione "I". Agite su questo tasto per accendere o spegnere l'altoparlante.

**NOTA:** Quando si spegne l'impianto sonoro, spegnere per primi gli altoparlanti. Quando si accende l'impianto sonoro, accendere gli altoparlanti per ultimi.

## 12. LINE VOLTAGE (selettore tensione di rete)

Questo selettore imposta la tensione di rete della linea elettrica del vostro paese (tipicamente è già impostato di fabbrica e non è necessario cambiarlo). L'impostazione 115V è per le linee elettriche da 105-120V~ e l'impostazione 230V è per le linee elettriche da 210-240V~.



**ATTENZIONE: UNA SBAGLIATA IMPOSTAZIONE DELLA LINEA ELETTRICA AC LINE VOLTAGE PUÒ DANNEGGIARE SERIAMENTE L'AMPLIFICATORE INTERNO.**

## 13. FUSE (portafusibili)

In questo vano è inserito il fusibile di protezione principale di rete.



**ATTENZIONE: RIMPIAZZARE IL FUSIBILE DI PROTEZIONE ESCLUSIVAMENTE CON UN FUSIBILE CON LE MEDESIME CARATTERISTICHE RIPORTATE SUL PRODOTTO.**

**SE DOPO LA SOSTITUZIONE, IL FUSIBILE INTERROMPE NUOVAMENTE IL FUNZIONAMENTO DELL'APPARATO, NON INSISTERE E CONTATTARE IL SERVIZIO ASSISTENZA PROEL.**

## 14. AC~ (presa di alimentazione di rete)

In questa presa va inserito il cavo di alimentazione di rete dell'altoparlante. Si raccomanda di utilizzare esclusivamente il cavo di alimentazione in dotazione all'altoparlante. Accertarsi che l'altoparlante sia spento prima di inserire il cavo di alimentazione nella presa di corrente.



**PROEL S.p.A.**  
(World Headquarter)  
Via alla Ruenia 37/43  
64027 Sant'Omero (TE) - ITALY  
Tel: +39 0861 81241  
Fax: +39 0861 887862  
[www.proel.com](http://www.proel.com)